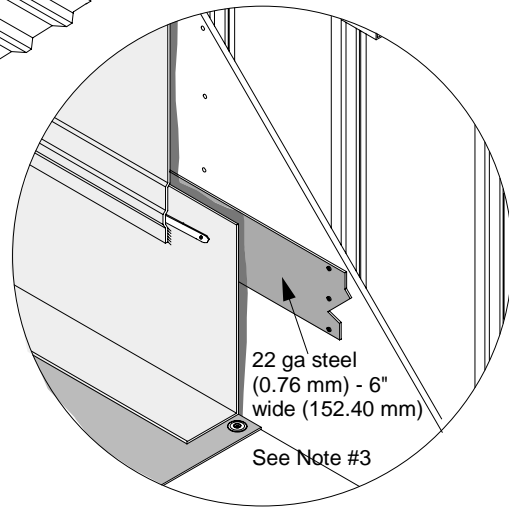


ALTERNATE METHOD:

In situations where it is advantageous to mount the intermediate securement horizontally that involves a non-structural substrate a 22 ga (.76 mm) metal securement strip may be secured through the non-structural substrate to the metal studs before the flashing is applied to serve as a point of anchorage for the intermediate membrane securement.



1. Metal stud mounted sheathing applications using other than plywood or OSB that are acceptable to bond directly to membrane include: 1/2" (12.70 mm) or greater DensDeck Standard or DensDeck Prime (NOT DensGlass Gold), exterior exposure faced gypsum board in 1/2" (12.70 mm) or greater thickness, etc.
2. Metal stud mounted parapet and wall sheathing other than plywood or OSB exceeding 48" (1.22 m) in height require vertically mounted intermediate securement spaced at most 48" (1.22 m) apart, secured through the sheathing to the metal studs with GenFlex #14 fasteners and GenFlex Metal Anchor Bar at 12" (304.80 mm) o.c. The intermediate securement anchor bars will extend from 4" (101.60 mm) minimum to 6" (152.40 mm) maximum from the finished roof surface and 4" (101.60 mm) minimum to 6" (152.40 mm) maximum from the metal coping or angle change at the top of the parapet. They must be stripped-in with EPDM Bar Cover Tape, and all TOP edges of the Bar Cover Tape must be caulked with EPDM Edge Caulk.
3. Secure the metal strip to every metal stud with three GenFast #14 Fasteners with the strip centered at the point where you wish to mount the horizontally oriented intermediate membrane securement.



<p>Intermediate Securement Into Non-Structural Substrate</p>	<p>Detail #: E-3.02B</p>	<p>EPDM Systems</p>
---	---------------------------------	----------------------------