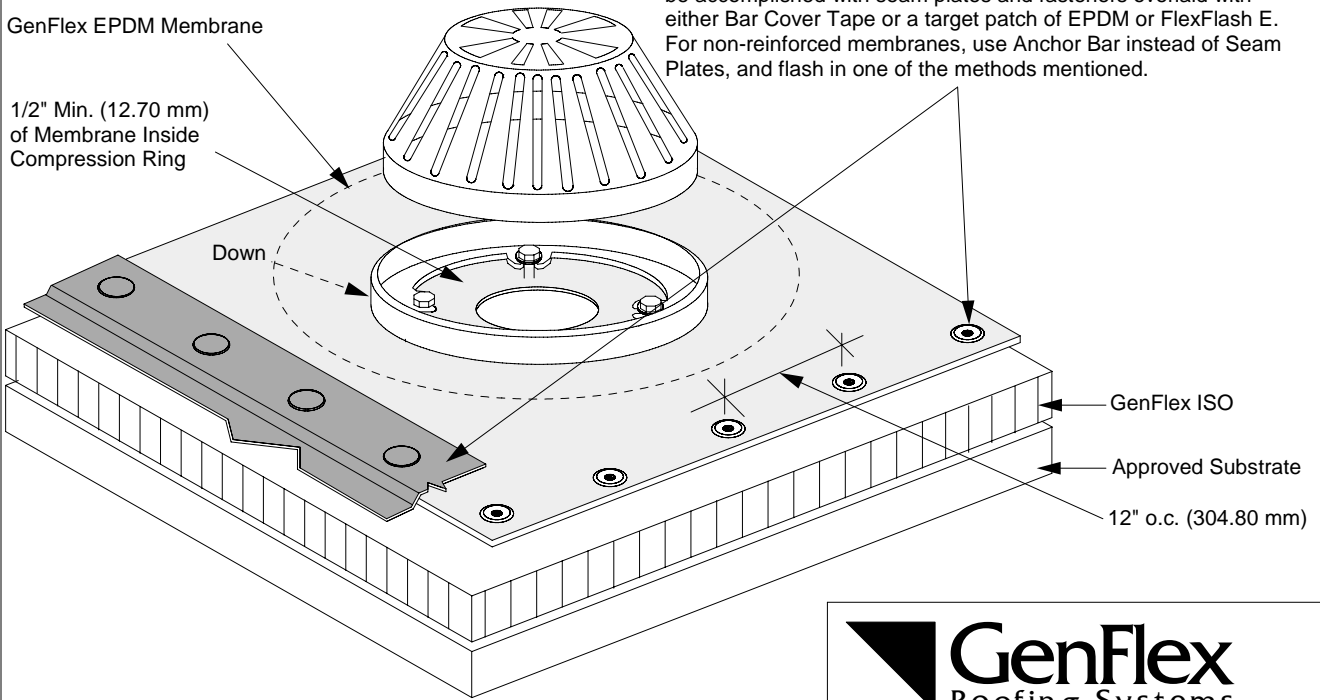


Refer to Detail E-8.01 for Drain Flashing requirements.

Membrane securement at 12" (304.80 mm) out from drain or at top of sump area and 12" o.c. (304.80 mm) required for Mechanically Attached Roof Systems. For FRM systems, this can be accomplished with seam plates and fasteners overlaid with either Bar Cover Tape or a target patch of EPDM or FlexFlash E. For non-reinforced membranes, use Anchor Bar instead of Seam Plates, and flash in one of the methods mentioned.

GenFlex EPDM Membrane

1/2" Min. (12.70 mm) of Membrane Inside Compression Ring



GenFlex ISO

Approved Substrate

12" o.c. (304.80 mm)



Membrane Securement at Drain with Sump Greater Than or Equal to 2/12

Detail #: E-8.02

EPDM Mechanically Attached Systems