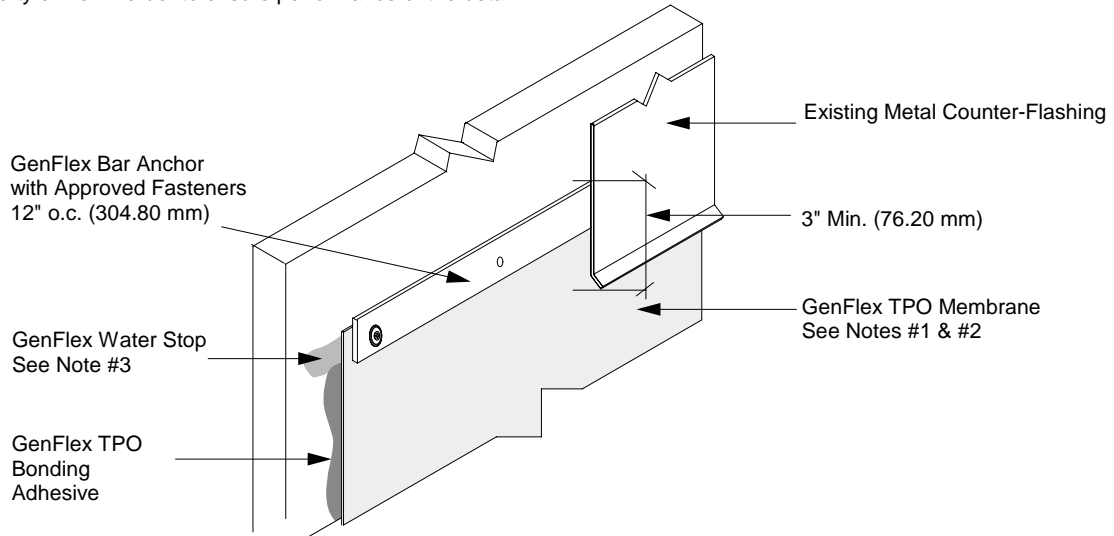


As with any surface-mounted termination, the vertical substrate above the seal must be waterproofed and maintained by the property owner in order to ensure performance of the detail.



1. Vertical substrate must be clean and suitable for flashing.
2. Alternate flashing substrates may be installed over existing vertical substrates if conditions prevent the substrate from meeting GenFlex flashing requirements. Examples of alternate substrates are: 1/2" (12.70 mm) minimum thickness exterior grade plywood and 22 ga (0.76 mm) G-90 galvanized steel. Securement must be achieved with corrosion resistant fasteners and be sufficient to resist 125 lb (556.03 N) of pullout pressure per square foot.
3. For compression details that utilize GenFlex Water Stop, the substrate must be bared in the compression area down to either a masonry or metal surface.



Termination Bar with Counter-Flashing	Detail #: T-1.02	TPO Systems
--	-------------------------	--------------------