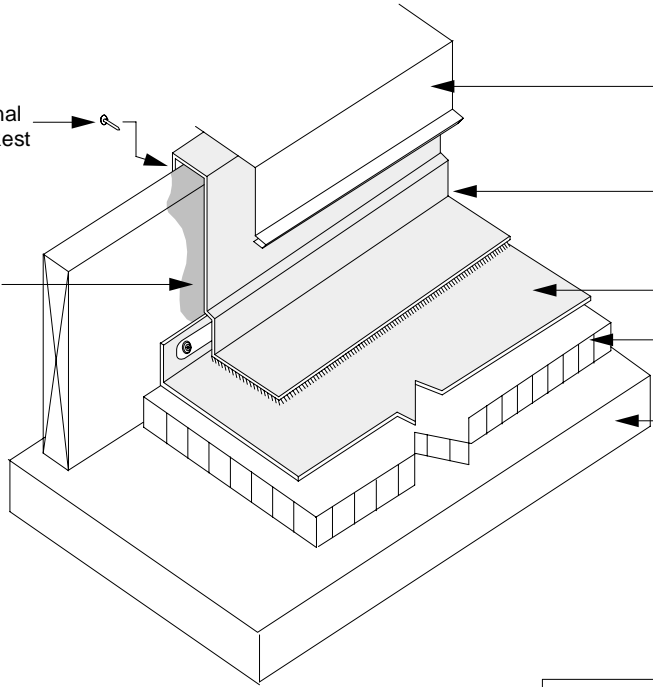


Securement of Membrane is Optional Because Unit Will Rest on Membrane

GenFlex TPO Bonding Adhesive



HVAC Unit or Skylight Assembly

Any GenFlex Approved Base Tie-In

GenFlex TPO Membrane

GenFlex ISO

Approved Substrate



New Curb Flashing

Detail #: T-3.07

TPO Systems