

SPECIFICATION 07530.5
GENFLEX FRM
FABRIC REINFORCED MEMBRANE (FRM)
IN-SEAM ATTACHMENT SYSTEMS

General	Page
1.01 Description.....	1
1.02 Quality Assurance.....	1
1.03 Submittals.....	1-2
1.04 Product Delivery, Storage, and Handling.....	2
1.05 Job Conditions (Cautions and Warnings).....	2-3
1.06 Warranty.....	4-5
1.07 Codes.....	5
1.08 Acceptable Structural Roof Decks.....	6
1.09 Acceptable Roof System Substrates.....	7-8
1.10 Acceptable GenFlex Fasteners.....	9
1.11 Wood Nailers.....	10
Products	
2.01 General.....	10
2.02 Membrane.....	10
2.03 Related Materials.....	10-11
Installation	
3.01 Substrate Criteria.....	11
3.02 Substrate Preparation.....	11
3.03 Insulation Application.....	12
3.04 Insulation Securement.....	12-13
3.05 Membrane Application.....	13
3.06 Membrane Attachment.....	13-15
3.07 Perimeter and Base Membrane Attachment.....	15-16
3.08 Flashings.....	16-18
3.09 Walkways.....	18
3.10 Finished Roof Protection.....	19
System Specific Supplemental Details.....	20-21

SPECIFICATION 07530.5
GENFLEX FRM
FABRIC REINFORCED MEMBRANE (FRM)
IN-SEAM ATTACHMENT SYSTEMS

PART 1 — GENERAL

1.01 DESCRIPTION

- A. GenFlex Roofing Systems recommends the use of a design professional to assure correct roof design for the roofing project, to address any non-standard conditions on the project, and to ensure compliance with applicable building codes.
- B. GenFlex specifications are designed to detail the minimum requirements to obtain a GenFlex warranty on a roofing project. Your roofing project may have additional requirements spelled out in the contract documents above and beyond the GenFlex requirements due to applicable building codes or design characteristics specified by the project designer.
- C. The GenFlex Roofing Systems FRM EPDM Mechanically Attached System (in-seam securement configuration) utilizes GenFlex Reinforced EPDM sheets applied over a GenFlex approved insulation or structural substrate and anchored to the structural deck in accordance with GenFlex FRM mechanically attached system design requirements.
- D. One GenFlex Roofing Systems authorized applicator shall perform roof application and related work. A single firm is required so that there is undivided responsibility for the performance of the completed roofing system.
- E. Furnish and install the GenFlex FRM In-Seam Attachment Roofing System in strict accordance with drawings and specifications approved by GenFlex Roofing Systems. Refer to the GenFlex web site to review any applicable technical updates.
- F. Related Work
The work includes, but is not necessarily limited to, the installation of:
 - 1. Vapor Retarders (where required)
 - 2. GenFlex Insulation
 - 3. GenFast Bar Anchors
 - 4. GenFlex Polyester Felt Underlayment
 - 5. GenFast Fasteners
 - 6. GenFlex Roof Membrane
 - 7. GenFlex Flashing
 - 8. GenFlex Metal Flashing
 - 9. Wood Nailer
 - 10. GenFlex Walkway Pads
 - 11. GenFlex Approved Sealants
 - 12. GenFlex Adhesives
 - 13. GenFlex Metal Edging and Coping per ANSI / SPRI ES-1 (as required)
 - 14. All metalwork to be fastened per Sheet Metal & Air Conditioning Contractors National Association (SMACNA) standards.

1.02 QUALITY ASSURANCE

- A. The roofing system must be installed by an authorized GenFlex Roofing Systems applicator for the project to be eligible to receive a manufacturer's system warranty.
- B. There shall be no deviation made from this specification or the detail drawings without written approval from GenFlex Roofing Systems fourteen (14) days prior to the start of the roofing project.
- C. Upon completion of the installation, an inspection shall be conducted by a Technical Representative of GenFlex Roofing Systems to ascertain that the roofing system has been installed according to GenFlex Roofing Systems current published specifications and details. This inspection is not intended to be a final inspection for the benefit of the owner. It is for the benefit of GenFlex Roofing Systems to determine whether a warranty can be issued.
- D. It is the roofing applicator's responsibility to adhere to all applicable local and national building codes for roofing system installation requirements and limitations in his/her geographical area.
- E. For specific code and testing agency approvals achieved by GenFlex Roofing Systems, refer to the agency's published listings or call the GenFlex Roofing Systems Technical Department.

1.03 SUBMITTALS

- A. Submit a Pre-Job Survey Form to the GenFlex Roofing Systems Technical Department for approval PRIOR to the job start. This enables the Technical Department to approve the intended assembly and assign a job number to the project. This submittal may include deviation request forms or pullout test results, depending on the project criteria.

1. The Pre-Job Survey MUST be filled out completely and accurately to include any prior deviations approved from this specification.
 2. The Pre-Job Survey must have a roof drawing or shop drawing attached for the project to be assigned a job number. The roof drawing must show: a) the dimensions of the roof system being submitted for warranty coverage, b) the location of all curbs installed during initial application, c) the type and thickness of insulation used in each area, d) the penetration count by either plotting or listing the penetrations installed during the initial application broken down into the various categories, e.g. pipes, drains, pourable sealer pockets, etc. This information is required in order to protect both GenFlex Roofing Systems and the installing contractor from additional liability for alterations performed to the roof system without GenFlex's knowledge or involvement. The Technical Department requests a separate roof drawing for each roof assembly type installed on a project. For example, a project consisting of an adhered and a ballasted system would require two separate roof plans. If the two different assemblies are on the same building, please indicate their proximity to one another on the roof plans for reference purposes.
- B. When material & workmanship or full systems warranties are desired, GenFlex Roofing Systems MUST receive the Pre-Job Survey or be contacted PRIOR to project bid and installation. Additional information may be required for the wind design of the system.
 - C. Upon completion of the project, the roofing contractor shall notify GenFlex Roofing Systems of the date of completion, and request a final inspection.
 - D. Upon completion of the roof inspection by the GenFlex Technical Department, satisfactory completion of any punch list items, and receipt of applicable warranty fees, the warranty may be issued to the installing contractor.

1.04 PRODUCT DELIVERY, STORAGE AND HANDLING

- A. Deliver materials in original, unopened containers.
- B. Containers shall be labeled with manufacturer's product name and general information.
- C. All materials, excluding the membrane, should be stored between 60 °F (16 °C) and 80 °F (27 °C). If materials are exposed to lower temperatures, restore material to 60 °F (16 °C) minimum temperature before using.
- D. Store all materials, including membrane, in a dry, protected area. Damaged materials must not be used. Installed materials found to be damaged shall be replaced at contractor's expense.
- E. Protect the membrane from abuse or damage during storage.
- F. Protect all stored materials from inclement weather by covering with breathable tarpaulins until ready to install. Anchor or weigh down the weather protection properly to prevent wind-related damage.
- G. Improperly stored insulation that has been allowed to get wet shall not be used in a warranted roof system and shall be replaced at the contractor's expense. In cases where the wet insulation is isolated to only a few boards per bundle, only those boards that have been wet must be replaced. Failure to replace insulation boards that have been exposed to moisture can result in bowing or curling of the insulation because the material may dry unevenly while in the roof system. This may adversely affect the dimensional stability of the insulation material. In either case, the removal and replacement of the affected insulation shall be the responsibility of the installing contractor as a punch list item or under their two-year obligation if discovered after the initial inspection but within twenty-four (24) months of approved final inspection by GenFlex.
- H. Keep insulation tarped and protected from moisture until ready for installation. **DO NOT INSTALL MORE INSULATION THAN CAN BE ROOFED OVER IN THE SAME WORKDAY.**

1.05 JOB CONDITIONS (CAUTIONS AND WARNINGS)

NOTE: Prior to the use of any GenFlex Roofing Systems product, consult Material Safety Data Sheets for applicable cautions and warnings.

- A. Do not use oil or bituminous base roof cement with GenFlex materials.
- B. Do not install GenFlex membrane directly in contact with new or resaturated asphalt.
- C. Do not expose membrane or accessories to temperatures of 180 °F (82 °C) or above.
- D. Do not allow waste products, such as petroleum grease, oil, or solvents, or direct steam venting to come in contact with the GenFlex roofing system. Any exposures not typical for normal roofing installation must be presented to GenFlex Roofing Systems for assessment of any impact on the performance of the roofing system.
- E. Do not install GenFlex membrane directly in contact with coal tar roof surfaces.
- F. When using an insulation / underlayment attachment method other than mechanical securement with GenFlex fasteners of an approved type, size and length, there may be additional factors to take into consideration.

The primary issues to consider include:

1. The products involved and the performance of asphalt attachment or insulation adhesive by others will not be included in the GenFlex system warranty coverage because they are products supplied by others. Separate warranty coverage may be available from the manufacturer of the product being used, but it is separate from the GenFlex warranty coverage and may be pursued by the installing contractor or property owner.
 2. For insulation / underlayment attachment methods other than loose laid for ballasted systems and mechanically anchored to GenFlex specification for adhered and mechanically attached systems, the maximum allowed board size is 4' x 4' (1.22 m x 1.22 m).
 3. When using insulation adhesive, verify that the approved substrate has not been altered by coatings, sealants, or additives. **NOTE:** Unless the GenFlex Technical Department provides written approval of specific products and / or applications prior to the start of a roofing project, alteration of the bonding substrate (e.g. application of primers and / or sealants, etc.) voids warranty coverage for the insulation attachment.
- G. Do not tear off more roof than can be covered the same workday.
- H. Do not install more roofing insulation than can be roofed over and sealed the same workday.
- I. Do not phase roofing installation. Complete all details daily, and install night seals as required to ensure the installed roofing components are protected from moisture.
- J. Perform daily quality control checks of installed seams and details, and correct any identified deficiencies each and every workday to prevent moisture from entering the roof system.
- K. Cold weather application of GenFlex adhesives and sealants requires special consideration. As specified in the Product Delivery, Storage and Handling section above, the GenFlex roofing adhesives, solvents, caulks and sealants must be stored at service temperatures ranging from 60 °F (16 °C) to 80 °F (27 °C) prior to use.
1. If a room temperature storage environment is not available, the GenFlex products must be restored to serviceable temperatures before application by alternate means, such as hot boxes or pail warmers, and rotated as required to maintain a serviceable installation temperature throughout the application process.
 2. During periods of high humidity, especially at cooler temperatures, condensation may form on the surface of the adhesives and primer. This is referred to as “blushing.” It occurs when the dew point is near the ambient outside temperature and is caused by the evaporation cooling process inherent in the flashing of solvents. Blushing is more prevalent on foggy or overcast days. **ONCE BLUSHING BEGINS, WORK MUST BE STOPPED UNTIL CONDITIONS IMPROVE.** During cold weather, work in smaller areas, allow longer flash-off times, and limit application of solvent-based adhesives and sealants to the warmest hours of the work period possible.
 3. Solvent-based adhesives tend to surface-flash during cold weather, forming an outer skin on the surface before the entire adhesive layer has had sufficient time to flash-off. To correct the application condition when this occurs, allow the adhesive layer to flash-off properly. To determine if the applied adhesive has surface-flashed, conduct a “push” test of the prepared surface by touching the adhesive film with your finger (away from any seam edges), and push to see if your finger slides through any un-flashed adhesive. If a surface skin condition is identified, allow extra time for the adhesive film to properly flash-off before retesting. In extreme cases of surface curing, it may be necessary to allow the adhesive film to cure completely overnight and to start over when better working conditions exist. Adhering two surfaces that have suffered surface curing of the adhesive will result in blisters and bubbles in the membrane application, caused by the trapped solvent from the uncured adhesive.
 4. Under no circumstances should laying of membrane, or application of adhesives, primers, or caulks take place during periods of any form of precipitation.

1.06 WARRANTY

GenFlex Roofing Systems offers several levels of warranty coverage on roofing systems installed using GenFlex brand products. Available coverage ranges from membrane only warranties to full system material and labor warranties. Full system warranties include coverage for ALL GenFlex brand materials used in a new roof assembly and the workmanship used to install the GenFlex products.

The level of warranty coverage sought on the project is indicated by the installing contractor on the Pre-Job Survey form submitted during the project registration process. The project registration information submitted by the contractor is then validated against the requirements for the type and length of warranty sought during the project review process before a job number is issued on a project. Listed below are some of those requirements for consideration. Additional system specific and warranty specific requirements apply and are subject to change at any time through the technical update bulletin notification process. Review the latest technical updates on the GenFlex web site for the most current information.

Because each warranty type and term carries specific requirements, requests from the installing contractor and / or property owner to change the warranty type or term after installation may or may not be honored, depending on the actual installed roofing assembly and components.

- A. A project is eligible for warranty coverage by GenFlex Roofing Systems, including workmanship for those materials supplied by GenFlex Roofing Systems, when the project is completed according to the most current GenFlex specification by a GenFlex Roofing Systems authorized applicator. Sub-contracting installation labor to a non GenFlex authorized contractor without GenFlex's explicit written authorization renders the roofing project non-warrantable. If a project is rendered non-warrantable due to non-authorized installation labor, a membrane only warranty will be issued instead of the requested system or labor and material warranty.
- B. When a full system warranty or a warranty that exceeds ten years of coverage is specified for a project, a complete tear-off to the structural deck is required. On a deviation basis, subject to GenFlex review and acceptance, an independent moisture survey may be submitted instead of a tear-off. For a moisture survey to be considered, the survey must have documented core cuts with findings fully specified. All wet insulation identified during the core cut process must be removed prior to reroofing and replaced with an acceptable new material. GenFlex's acceptance of the moisture survey does not indicate the insulation is suitable for recover, and GenFlex does not accept any liability for the performance of the existing insulation. Any existing insulation left in place and recovered is expressly excluded from warranty coverage and remains the responsibility of the building owner.
- C. Upon approved inspection of the completed installation by a GenFlex Roofing Systems Technical Representative and receipt of the appropriate warranty fees, a warranty may be issued to the installing contractor.
- D. The workmanship warranty is available for roofing systems installed on commercial, industrial, or institutional buildings only and is not available for single family residences, walking decks, terraces, patios or areas subjected to conditions not typically found on roofing systems.
- E. The warranty period is expressed on the warranty certificate, which reflects the inclusive dates of coverage.
- F. GenFlex insulation and fasteners are required on all full system warranted projects and on projects with warranty terms greater than ten years.
- G. If the metalwork on a project is specified by the designer to be included in a full system warranty, use GenFlex brand edge metal and coping products. Contact your Sales Agent for information.
- H. If a metal flashing product by others is submitted via a deviation request for inclusion in the warranty coverage, the following are minimum requirements for consideration:
 1. The metalwork must be shop or factory formed or extruded.
 2. The metalwork must be configured and installed in accordance with SMACNA guidelines and NRCA installation instructions.
 3. Minimum requirements regarding metalwork material are, 24 ga (0.61 mm) G-90 Kynar pre-finished steel or 0.040" (1.02 mm) aluminum (mill finished, pre-finished or anodized).
 4. A deviation request for metalwork inclusion in warranty coverage must accompany the Pre-Job Survey form submitted by the installing contractor.
 5. The deviation request must include shop drawings of the metalwork to be included and a roof plan showing the installed location and linear dimension for each profile.

6. Should the deviation request be granted, the installing contractor will be responsible to GenFlex Roofing Systems for materials and installation labor performance for a period of two-years from the date of the approved final inspection by GenFlex under their installers agreement.

NOTE: The approval of metalwork for inclusion in warranty coverage is conditional upon acceptance by GenFlex Roofing Systems, and, if approved, is subject to the “terms, conditions and limitations” of the requested warranty. Under no circumstance will any warranty coverage for metalwork exceed the wind speed limitation of the warranty issued for the roof system. Aesthetic appearance is expressly excluded from warranty coverage. Metalwork by others is **NOT** permitted on projects warranted for wind speeds of 90 mph (144.84 km/h) or higher.

- I. Contact GenFlex Roofing Systems for additional warranty information.
- J. When it is anticipated that GenFlex membranes will be exposed to animal fats, petroleum grease or other grease products, the owner or owner’s representative is responsible for specifying that a sacrificial sheet, sand trap, or grease trap type containment product must be used to protect the waterproofing roof membrane.
- K. It shall be the owner’s responsibility to expose the membrane in the event that warranty service is required when access is impaired. Such impairment could include, but is not limited to:
 1. Design features, such as window washer systems, which require the installation of traffic surface units in excess of 80 lb (36.29 kg) per unit.
 2. Any equipment, ornamentation, building service units, or other rooftop surfacing materials which are not defined as part of the roofing system.
 3. Rooftop equipment that does not provide GenFlex with reasonable access to the membrane system for purposes of warranty investigation and related repairs.
 4. Standing water, snow, ice, or other materials unrelated to the roof system.
- L. Warranty coverage is limited to the maximum wind speed indicated on the warranty document as measured 30’ (9.14 m) above ground level and does not cover damage that results from failure of other building components, such as dislodged metalwork, wood nailers, rooftop units, or other materials not included in the GenFlex warranty coverage.

1.07 CODES

- A. GenFlex Roofing Systems has successfully tested its systems at UL and Factory Mutual testing facilities in order to qualify for specific codes and ratings used by designers in the specification of the various roofing systems.
- B. This testing is conducted in strict accordance with the industry recognized standardized testing procedures established and managed by each organization. The purpose of testing assemblies and materials is to evaluate performance capability for each individual component of the roofing system, as well as the performance of the combined assembly.
- C. Because codes and ratings are routinely updated and revised, it is important to consult with a GenFlex Technical Advisor or Sales Agent before quoting a project requiring compliance to a specific code rating. Please visit www.genflex.com for the most current published list of code ratings.
- D. It is the contractor’s responsibility to ensure compliance with designer specified code requirements on a project. GenFlex Roofing Systems does not inspect for compliance to code required enhancements to roof systems.

1.08 ACCEPTABLE STRUCTURAL ROOF DECKS

GenFlex Roofing Systems has compiled a list of the most common deck types found in the construction field. GenFlex Roofing Systems strongly recommends that you review its requirements and restrictions PRIOR to each roofing project. Refer to the following table.

TABLE 1.08

New Construction or Tear Off to Deck		
Deck Type	Conditions	Special Requirements (if any)
Steel Deck	22 gauge (0.76 mm) min.	24 - 28 ga (0.61 mm - 0.38 mm) requires submission of pullout test results to determine acceptability (less than 28 ga (0.38 mm) not acceptable).
Structural Concrete	3000 psi (20.68 MPa) min.	If using insulation adhesive to bond to the concrete, the concrete must not be sealed, coated or contain additives (e.g. curing accelerants) without approval from GenFlex.
Lumber	3/4" (19.05 mm) min.	Requires submission of pullout test results to determine acceptability. Refer to pullout test requirements in fastener table 1.10.
Plywood	15/32" (11.91 mm) min.	Must be APA approved material and be fastened with screws to the supporting structure. Requires submission of pullout test results to determine acceptability. Refer to pullout test requirements in fastener table 1.10.
OSB	7/16" (11.11 mm) min.	Must be APA approved material and be fastened with screws to the supporting structure. Requires submission of pullout test results to determine acceptability. Refer to pullout test requirements in fastener table 1.10.
Concrete Plank	2" (50.80 mm) min.	Use caution if drilling in concrete plank to avoid spalling. Requires submission of pullout test results to determine acceptability. Refer to pullout test requirements in fastener table 1.10.
Cementitious Wood Fiber	n/a	Requires submission of pullout test results to determine acceptability. Refer to pullout test requirements in fastener table 1.10.
Gypsum Deck	Poured in place or plank	Requires submission of pullout test results to determine acceptability. Refer to pullout test requirements in fastener table 1.10.
Lightweight Concrete	n/a	Requires submission of pullout test results to determine acceptability. Refer to pullout test requirements in fastener table 1.10. When used as a substrate for an adhered or mechanically attached system, securement must be made through the lightweight concrete and into the structural deck.

1.09 ACCEPTABLE ROOF SYSTEM SUBSTRATES

An acceptable substrate will provide a smooth surface capable of fully supporting a GenFlex roof assembly and anticipated roof loads. When used to support an adhered roof system, with either mechanically attached or bonded insulation to the deck, the acceptable insulation substrate must also possess sufficient structural integrity to secure the roofing membrane to the structure when the membrane is bonded to it. Thermal value to the roof assembly, when applicable, must also be considered when choosing an insulation substrate. When insulation is used as a roof substrate, the insulation must be capable of being supported by the structural deck. For example, a typical steel deck would not support wood fiber but would support an isocyanurate insulation board with a wood fiber overlay. A suitable substrate can be an existing roof surface, a structural deck or insulation as detailed in the following table.

TABLE 1.09A

IMMEDIATE SUBSTRATE TYPES	
Immediate Substrate Type	Conditions for Use as a Roof System Substrate
Plywood or Wood Plank Decks	GenFlex roof systems may be installed directly over plywood, provided the substrate is free of contamination, sharp edges, and protrusions. Wood plank decks require an approved minimum thickness insulation board. The bondable substrate, whether plywood or minimum thickness insulation, must have any voids greater than 1/4" (6.35 mm) between panels filled with a suitable material to provide a smooth, bondable surface. Where plywood is used as a direct substrate, the plywood should be attached to the structural support with screw-type fasteners, instead of nailing, to prevent damage caused by fastener back-out as the structure moves due to expansion / contraction and settling. Damage caused by building movement is excluded from warranty coverage.
Steel Deck (22 Gauge (0.76 mm) min.)	An approved minimum thickness insulation board must be used. Insulation shall be mechanically fastened with appropriate fasteners and plates. Contact GenFlex for alternative methods to attach insulation to metal decks.
Structural Concrete or Concrete Plank	An approved minimum thickness insulation board is required. Insulation can be mechanically fastened with appropriate fasteners and plates or fastened using alternative methods of insulation securement. GenFlex insulation adhesive is approved for securement when system specifications call for attachment, provided the deck has not been altered by coatings, sealants, or curing accelerants. Asphalt attachment is accepted in some cases for insulation securement but is not covered by the GenFlex warranty.
Lightweight Concrete, Cementitious Wood Fiber or Gypsum	Lightweight concrete, cementitious wood fiber, and gypsum decks must be overlaid with a minimum thickness layer of approved insulation secured directly into the lightweight deck, provided acceptable pullout values are achieved with a GenFast NTB fastener and insulation plate. Alternative methods of insulation securement include securing the insulation through the lightweight concrete directly to the structural deck or installing a mechanically attached base sheet and mopping-in the insulation. Insulation may also be attached to cementitious wood fiber decks with GenFlex insulation adhesive.
Existing Gravel Surface BUR and Coal Tar Pitch	All loose gravel must be removed or leveled to ensure a relatively flat substrate. An approved minimum thickness insulation board is required and must comply with system requirements for the roof assembly being installed.
Smooth Surface BUR or Modify APP/SBS Roof System	For adhered systems, the existing smooth surface BUR must be overlaid with a minimum thickness approved insulation acceptable for use with adhered systems and secured in accordance with the GenFlex published fastening requirements for any given insulation type. For all other GenFlex EPDM systems, the membrane may be attached directly over smooth surface BUR without a separator sheet or insulation board, provided no fresh bituminous roof cement or asphalt base products have been used on BUR surface or will come in contact with the roofing membrane. When the condition of a smooth surfaced BUR or modified bitumen roof prevents the use of the existing roof as a direct substrate for an EPDM roof system, a GenFlex separator sheet may be used to smooth the BUR or modified bitumen surface to an acceptable level. Please consult the GenFlex Technical Department regarding suitability of using a separator sheet instead of insulation.
Existing Single-Ply Membrane Roofs – All Types	In reroof situations that involve leaving the existing single-ply membrane in place, the existing membrane must be cut into 10' x 10' (3.05 m x 3.05 m) pieces and overlaid with an acceptable rigid insulation board to isolate the new GenFlex single-ply roof system from the original roof membrane. The rigid board type and mechanical securement of the insulation must comply with the securement requirements of the new roof system being installed.

TABLE 1.09B

Acceptable Insulations			
Insulation Type	Manufacturer Names	Minimum Thickness	Acceptable for use on these systems:
Isocyanurate	GenFlex Roofing Systems^A Atlas, Hunter Panels, Johns Manville, R-Max	1" (25.40 mm) min. 1 1/2" (38.10 mm) min.	All (1)
Wood Fiber	GenFlex Roofing Systems^A Knight Celotex, Georgia Pacific	1" (25.40 mm) min. for Std. 1/2" (12.70 mm) min. for High Density	All (1)
Perlite	GAF, Johns Manville	3/4" (19.05 mm) min.	Ballasted Only (1)
Polystyrene (Expanded or Extruded)	<i>Dow Chemical, Premier Industries^B</i> (Insulfoam EPS)	1" (25.40 mm) min.	All (1 & 2)
Gypsum Board	<i>Georgia Pacific (DensDeck)^B</i>	1/4" (6.35 mm) 1/2" (12.70 mm)	All (1)
<p>NOTES:</p> <p>1. Insulation thickness must be minimum thickness required by manufacturer to span openings in the deck. In some cases, it may be necessary to use a support layer of insulation.</p> <p>2. Except ballast, expanded and extruded polystyrene insulation must be 1 lb minimum density and be overlaid with acceptable cover board. Contact GenFlex for other options with expanded and extruded polystyrene insulations.</p> <p>^AProducts in bold are covered by the GenFlex warranty when installed in a warranted system.</p> <p>^B<i>Products in bold italic are covered by the GenFlex warranty when purchased through GenFlex Roofing Systems.</i></p>			

1.10 ACCEPTABLE GENFLEX FASTENERS

Warranted GenFlex roof systems must be assembled using GenFast fasteners of appropriate type and length installed at the rate specified in the insulation attachment, and if applicable, the membrane attachment portion of the Installation Section of this specification. The application rate of fasteners specified in the sections mentioned above is based on an approved deck providing 300 lb (1 334.47 N) minimum pullout resistance. For projects with decks requiring pullout testing, a completed pullout test result form is required with the Pre-Job Survey Form in order to register the project with GenFlex.

TABLE 1.10

GenFlex Fastener Application Guide														
GenFlex Fastener Type	Approved Accessories	Insulation Attachment	Membrane Attachment	Deck Types										
GenFast #12 Fastener	1	Yes	No	Steel, Wood										
GenFast #14 Fastener	1,4,5,6	Yes	Yes	Steel, Wood										
GenFast #15 (WH) Fastener	1,5,7	Yes	Yes	Steel, Wood, Concrete										
GenFast #16 Max Fastener	7,10	No	Yes	Steel, Wood,										
GenFast #12 Preassembled Fastener & Plate	N/A	Yes	No	Steel, Wood										
GenFast #15 Preassembled Fastener & Plate	N/A	Yes	Yes	Steel, Wood, Concrete										
GenFast CD-10 Concrete Fastener	1,4,5,6	Yes	Yes	Concrete										
GenFast Lite-Deck Fastener	2,8	Yes	Yes	Gypsum, Cementitious Wood Fiber										
GenFast Purlin Fastener	5,6	Yes	Yes	Steel Purlins										
GenFast NTB Fastener (w/ or w/o wire)	3,9	Yes	Yes	Gypsum, Cementitious Wood Fiber										
<p>Insulation Plate Options:</p> <p>1) GenFast Insulation Plate 3) GenFast NTB Insulation Plate</p> <p>Membrane Securement Options:</p> <p>4) GenFast 2" Seam Plate 6) GenFast Bar Anchor 8) GenFast Lite-Deck Bar 10) GenFast 3" Max Seam Plate</p> <p>2) GenFast Lite-Deck Plate</p> <p>5) GenFast (WH) 2 3/8" Seam Plate 7) GenFast Polymer Batten Strip 9) GenFast NTB Seam Plate</p>														
<p>This is only a partial representation of GenFlex Roofing Systems codes. Please contact the GenFlex Technical Department if you have any code related questions regarding assemblies not referenced.</p> <p>NOTE: GenFlex fasteners are required on all full system and 15 & 20 year warranties. 1. GenFlex fasteners shall be corrosion resistant coated and comply with Factory Mutual Standard 4470. 2. Insulation fasteners shall be suitable for the insulation used. 3. All screw type fasteners shall be a minimum #14 shank diameter for membrane securement. 4. No hex head fasteners are permitted for insulation or membrane securement in GenFlex warranted systems.</p> <p>GenFlex Roofing Systems requires a pullout test to be conducted by an independent agency on the following types of decks: gypsum, cementitious wood fiber, oriented strand board, lightweight concrete, concrete plank, and any metal decks lighter than 22 gauge (0.76 mm). The results must be submitted to the GenFlex Technical Department prior to project bid. Fully adhered applications on decks providing less than the required 300 lb (1 334.47 N) of pullout resistance may still qualify for warranty coverage, provided the insulation is secured in accordance with the supplemental securement table on the following page and approved by the GenFlex Technical Department.</p> <table border="0"> <tr> <td style="text-align: center;"><u>Roof Size</u></td> <td style="text-align: center;"><u>Pullout Test Requirements</u></td> </tr> <tr> <td>Less than 10,000 ft² (929.03 m²)</td> <td>6</td> </tr> <tr> <td>10,000 ft² - 50,000 ft² (929.03 m² - 4 645.15 m²)</td> <td>10</td> </tr> <tr> <td>50,000 ft² - 100,000 ft² (4 645.15 m² - 9 290.30 m²)</td> <td>20</td> </tr> <tr> <td>Over 100,000 ft² (9 290.30 m²)</td> <td>1 per 5,000 ft² (464.52 m²)</td> </tr> </table>					<u>Roof Size</u>	<u>Pullout Test Requirements</u>	Less than 10,000 ft ² (929.03 m ²)	6	10,000 ft ² - 50,000 ft ² (929.03 m ² - 4 645.15 m ²)	10	50,000 ft ² - 100,000 ft ² (4 645.15 m ² - 9 290.30 m ²)	20	Over 100,000 ft ² (9 290.30 m ²)	1 per 5,000 ft ² (464.52 m ²)
<u>Roof Size</u>	<u>Pullout Test Requirements</u>													
Less than 10,000 ft ² (929.03 m ²)	6													
10,000 ft ² - 50,000 ft ² (929.03 m ² - 4 645.15 m ²)	10													
50,000 ft ² - 100,000 ft ² (4 645.15 m ² - 9 290.30 m ²)	20													
Over 100,000 ft ² (9 290.30 m ²)	1 per 5,000 ft ² (464.52 m ²)													
<p>CAUTION: Use appropriate fastener for substrate.</p>														

1.11 WOOD NAILERS

Wood nailers provide a termination point for roofing insulation as well as a securement point to tie the roof system into the building shell. Wood nailers are not covered by the GenFlex warranty because they are a product by others and considered part of the building structure. Following are GenFlex's requirements for wood nailers:

- A. Wood nailers are required at all roof edges where metalwork, drip edges, or gutter systems are specified. The width of the nailer must exceed the width of the flange of any metalwork mounted to it and be of equal thickness to the roof insulation in order to protect the edge of the insulation and provide a substrate to which the metalwork can be anchored, without impeding drainage. Wood nailers are also required under any rooftop curbs that are not mounted directly to the structural deck with the same width and thickness requirements stated above.
- B. Wood Nailers must be #2 Grade or better lumber. Wood treated with preservatives containing creosote, asphalt, pentachlorophenol, copper naphthenate, copper 8-quinolinolate, and alkaline copper quaternaries (ACQ) have an adverse effect on single-ply roofing membranes and are not acceptable for use in a GenFlex roofing system.
- C. In all cases, the wood nailer must be anchored to the deck in an industry accepted method to the designing architect's specification. As a minimum standard, the wood nailers must be anchored sufficiently to resist 200 lb (889.64 N) of force per linear foot in any direction with fasteners spaced not more than 24" (609.60 mm) apart. Refer to the Perimeter Flashing portion of Factory Loss Prevention Data 1-49 (June 1985) for nailer securement recommendations. Wood nailers are not part of the GenFlex roofing system and are not covered by the GenFlex warranty.

PART 2 – PRODUCTS

2.01 GENERAL

- A. The components of the GenFlex EPDM roofing system are to be products of GenFlex Roofing Systems or approved by GenFlex Roofing Systems as compatible and acceptable. Unless specifically included in the warranty coverage by GenFlex Roofing Systems, products by others are excluded from coverage.

2.02 MEMBRANE

- A. GenFlex Fabric Reinforced (FRM) EPDM membrane is available in a variety of membrane thickness and sheet width combinations that are illustrated in the table in Section 2.02 of the GenFlex Roofing Systems Design Criteria. Not all sheet lengths shown are stock items. Consult your GenFlex Customer Service Representative regarding lead time for nonstock sheet length / width combinations.

2.03 RELATED MATERIALS

The following list contains the names of other GenFlex products and accessories that may be required in order to complete the roofing system. With the exception of walkway pads, which are considered maintenance items, GenFlex manufactured or supplied material is covered in the limited warranty, provided a warranty is purchased for the project.

NOTE: Prolonged exposure of adhesives and sealants to temperatures greater than 80 °F (27 °C) will reduce their shelf life. Shelf life is indicated on the product label or in the product information data for the particular product item, which can be found at www.genflex.com.

EPDM

A. EPDM Flashing

B. Seam Tape

C. Cover Tape

D. Peel & Stick EPDM Flashing

E. Reinforced Perimeter Strip

F. Peel & Stick RPS

G. EPDM Pipe Boot

H. Peel & Stick EPDM Pipe Boot

I. Peel & Stick EPDM Corner

J. Peel & Stick EPDM T-Joint Cover

K. Flexguard Peel & Stick Walkway Pad

Product Descriptions

6" (152.40 mm), 9" (228.60 mm), 12" (304.80 mm), 18" (457.20 mm) or 24" (609.60 mm) wide x 100' (30.48 m) per roll
3" (76.20 mm) or 7" (177.80 mm) wide x 100' (30.48 m) per roll
5" (127.00 mm) or 12" (304.80 mm) wide x 100' (30.48 m) per roll
7" (177.80 mm) or 9" (228.60 mm) wide x 100' (30.48 m) per roll
6" (152.40 mm) x 100' (30.48 m) per roll
6" (152.40 mm) wide x 100' (30.48 m) per roll
1" (25.40 mm) to 6" (152.40 mm) / 10 per box
1" (25.40 mm) to 6" (152.40 mm) / 10 per box
9" (228.60 mm) diameter / 20 per box
8" (203.20 mm) x 10" (254.00 mm) / 25 per box
30" (762.00 mm) x 30" (762.00 mm) x 5/16" (7.94 mm)

L. Primer	350 lf/gal (28.18 m/L) based on 3" (76.20 mm) seam tape or 175 lf/gal (14.09 m/L) for 5" (127.00 mm) cover tape (Adjust accordingly for other products.)
M. Bonding Adhesive	60 ft ² /gal (1.47 m ² /L)
N. EPDM Water Based Bonding Adhesive	120 ft ² /gal (2.95 m ² /L)
O. G-400 Seam Adhesive	125 lf/gal (10.06 m/L) based on 3" (76.20 mm) seam tape
P. Cleaner	5 gal (18.93 L) pails
Q. Scrub Pad & Handle	3" x 5" (76.20 mm x 127.00 mm) / 30 pads & 4 handles per carton
R. EPDM Edge Caulk	15 lf to 20 lf (4.57 m to 6.10 m) per tube / 10 per carton

MULTI-SYSTEM ACCESSORIES

Insulation	ISO, ISO-Fiber, Nailboard, Wood Fiber
GenFast Fastener	#12, #14, #15 (WH), #16 Max, CD-10, Purlin, Lite-Deck, NTB / quantity per ctn varies
GenFast Insulation Plate	3", Lite-Deck, NTB
GenFast Seam Plate	2", (WH) 2 3/8", 3" Max., NTB / 1,000 per ctn
GenFast Bar Anchor	1" x 10' (25.40 mm x 3.05 m) / 50 per ctn
GenFast Polymer Batten Strip	1" x 250' (25.40 mm x 76.20 m)
GenFast Lite-Deck Bar	1" x 10' (25.40 mm x 3.05 m) / 500' (152.40 m) per tube
GenFast Preassembled Fastener & Plate	#12, #15 / 250 pcs per ctn
Low Rise Insulation Adhesive	500 to 600 ft ² per 3 gal pail (46.45 to 55.74 m ² per 11.36 L pail)
One Step Insulation Adhesive	200 to 600 ft ² per 4 pk ctn of 1.58 qt cartridges (18.58 to 55.74 m ² per 4 pk carton of 1500 mL cartridges)
All Purpose Water Based Bonding Adhesive	120 ft ² /gal (2.95 m ² /L) / 5 gallon (18.92 L) pail
Pourable Sealer (A & B)	1 ft ² /gal (0.02 m ² /L) at 2" (50.80 mm) thick
Water Stop	15 lf (4.57 m) per tube / 25 per ctn
Termination Caulk	25 lf (4.57 m) per tube / 25 per ctn
GenFast Termination Bar	1.25" x 10' (31.75 mm x 3.05 m) / 50 per ctn
GenFast 1 1/4" Zinc Masonry Anchor	1 1/4" (31.75 mm) / 1000 per ctn
Ace Coating	100 ft ² /gal (2.45 m ² /L) / 5 gallon (18.92 L) pail
Polyester Felt Underlayment	4 oz (113.40 g) / 12' x 100' (3.66 m x 30.48 m)

CONSULT THE PRODUCT DATA SHEETS AVAILABLE ON-LINE AT WWW.GENFLEX.COM FOR ADDITIONAL PRODUCT INFORMATION.

PART 3 – INSTALLATION

3.01 SUBSTRATE CRITERIA

- A. The building owner or owner's representative is responsible for providing and determining that the substrate is suitable to receive the GenFlex EPDM roofing system. The GenFlex authorized contractor should not proceed until any and all defects have been corrected. If possible, begin roof installation at the high point of the roof, and work toward the lowest point.

3.02 SUBSTRATE PREPARATION

- A. In a reroofing application, the building owner or owner's representative is responsible for making sure that all wet insulation and/or wet substrate has been removed and replaced. The best diagnostic technique to determine this is to take a series of roof core cuts and analyze them for moisture content and degradation. Two other techniques are currently available and make this determination by indirect means: nuclear moisture detection and infrared thermography. These techniques provide measurements of factors that can be associated with the presence of moisture.
- B. A positive slope is recommended to provide adequate drainage. The National Roofing Contractors Association Manual recommends that there should be no ponding water on the roofing system forty-eight (48) hours after it has stopped raining. Positive drainage is a design feature and should be addressed in the planning stage of the project. Under no circumstances is GenFlex Roofing Systems responsible for ponding water as GenFlex is not party to the structural design of the building.
- C. Any existing sprayed-in-place urethane foam roofs **MUST** be removed down to the structural deck prior to the installation of a GenFlex roofing system.
- D. Sweep the area of roof being covered to remove any loose dirt and debris.

3.03 INSULATION APPLICATION

- A. Identify the area of roof being addressed in the workday, and lay out insulation with edges resting on the upper deck flute for metal decks and flat on supporting substrate for other types of decks.
- B. Stagger all insulation joints the maximum amount possible and lay out with all joints tightly butted. Any gaps greater than 1/4" (6.35 mm) wide must be filled with matching insulation material.
- C. When installing insulation greater than 2 1/2" (63.50 mm) thick, use multiple layers to maximize insulation thermal efficiency.
- D. When using multiple layers of insulation on a project, install each subsequent layer with the long axis running perpendicular to the layer below it and with all joints staggered and tightly butted.
- E. Fit insulation tightly to roof penetrations, wood nailers, transitional walls and parapets, with any gaps greater than 1/4" (6.35 mm) filled with like material prior to membrane application.

3.04 INSULATION SECUREMENT

- A. Insulation attachment defined below is based on 300 lb (1 334.47 N) pullout resistance or greater.
NOTE: In the event the insulation is installed over an air barrier, the insulation securement must be in accordance with FM I-90 criteria for GenFlex fully adhered roof systems.
 1. All insulation must be mechanically attached to the approved structural deck using GenFlex fasteners of appropriate type and length and insulation plates installed at the rate of one fastener and plate per 6.5 ft² (0.60 m²), or 5 fastener assemblies per 4' x 8' (1.22 m x 2.44 m) board for 22 ga (0.76 mm) steel decks and structural concrete. Other decks require pullout testing and may require additional securement. Fasten all insulation per detail E-71.03 or E-71.05.

CAUTION: ALTERNATIVE METHODS TO SUCCESSFULLY SECURE INSULATION TO A ROOF DECK OR AN EXISTING ROOF SURFACE RELY HEAVILY ON PROPER CONDITION AND PREPARATION OF THE INTENDED SUBSTRATE.

- B. ALTERNATE INSULATION SECUREMENT METHOD - GENFLEX BRAND INSULATION ADHESIVE (GenFlex Low Rise Insulation Adhesive and GenFlex One Step Insulation Adhesive)
NOTE: Insulation adhesive is permitted only on applications where the acceptable roof deck has not been altered with coatings, sealants, or additives that may affect the bond between the acceptable substrate and insulation. Refer to the appropriate product data sheet (GenFlex Low Rise Insulation Adhesive or GenFlex One Step Insulation Adhesive) to determine if the structural deck to which the insulation is being bonded is approved, or if special requirements apply. Both GenFlex Low Rise Insulation Adhesive and GenFlex One Step Insulation Adhesive may also be used between layers of acceptable insulation.
 1. Sweep and / or power-blow the substrate clean of any dust, dirt, and loose debris and make sure any moisture is allowed to dry prior to insulation application. Depending on the construction site, this step may have to be repeated periodically throughout the workday due to blowing dirt and debris. **DO NOT APPLY GENFLEX INSULATION ADHESIVE OVER DIRT OR DEBRIS.**

GenFlex Low Rise Insulation Adhesive (moisture curing)

- 2a. Using an insulation adhesive application cart, apply the GenFlex Low Rise Insulation Adhesive to the substrate at the coverage rate of 500 to 600 ft² (46.45 to 55.74 m²) of installed insulation per 3 gal (11.36 L) pail of adhesive. Refer to the GenFlex Low Rise Insulation Adhesive Product Data Sheet for additional information. The insulation should be laid in a fresh bead of adhesive before the bead(s) begins to skin.
- 3a. Any unused insulation adhesive may be poured from the applicator cart back into an adhesive can and tightly resealed for later use.

GenFlex One Step Insulation Adhesive (chemical curing)

- 2b. Using one of the four One Step Insulation Adhesive Applicator models, apply the GenFlex One Step Insulation Adhesive to the substrate at the coverage rate of 200 to 600 ft² of coverage per 4 pk ctn of 1.58 qt cartridges (18.58 to 55.74 m² per 4 pk carton of 1500 mL cartridges). Coverage rate will depend on spacing of insulation adhesive beads. Refer to the GenFlex One Step Insulation Adhesive Product Data Sheet for additional information. The insulation should be laid in a fresh bead of adhesive before the bead(s) begins to skin.
- 3b. Any unused insulation adhesive may be used at a later time by simply replacing the cartridge mixing applicator nozzle.

4. Using 4' x 4' (1.22 m x 1.22 m) maximum insulation boards, lay out insulation with all joints tightly butted and any gaps greater than 1/4" (6.35 mm) filled with like material. Stagger joints between rows and layers the maximum amount possible to enhance thermal efficiency.
5. Once the boards are laid into the freshly applied insulation adhesive, apply pressure by walking on the boards or by placing a sufficient weight on the board to be certain of adequate contact between the insulation and the adhesive.
6. Repeat the process as applicable to apply subsequent layers of insulation. Priming is not required between layers of approved insulation.

C. ALTERNATE INSULATION ATTACHMENT METHOD III (Asphalt Attachment)

Roofing asphalt is neither supplied nor specified by GenFlex, and the performance of asphalt used to attach roof insulation is not included in the GenFlex warranty coverage. In the event the project designer selects this method of attachment, the following requirements must be met:

1. The proposed insulation shall be compatible with the roof substrate, the proposed type of asphalt, and the requirements of the GenFlex Fully Adhered System.
2. Steep asphalt ASTM D 312 Type III or IV shall be utilized.
3. Insulation shall not be attached with asphalt directly to a steel deck.
4. Expanded or extruded polystyrene insulation shall not be attached with asphalt.
5. Maximum board size allowed is 4' x 4' (1.22 m x 1.22 m).
6. If the insulation assembly consists of the first layer being mechanically fastened and the second layer being hot asphalt attached, the fastening rate of the first layer shall be per GenFlex requirements for the particular insulation.

NOTE: THE ABOVE REQUIREMENTS ARE NOT INCLUSIVE. ADDITIONAL REQUIREMENTS IN ACCORDANCE WITH CURRENT INDUSTRY STANDARDS ARE NECESSARY. THE GENFLEX ROOFING SYSTEM WARRANTY DOES NOT COVER THE ATTACHMENT OF THE INSULATION WHEN IT IS SECURED WITH HOT ASPHALT.

3.05 MEMBRANE APPLICATION

A. Membrane

1. Position the GenFlex EPDM membrane over approved substrate without stretching.
2. Allow the membrane to relax a minimum of one-half (1/2) hour prior to any seaming or flashing.
3. Position all adjoining sheets in a manner that all sheets overlap a minimum of 7" (177.80 mm).

3.06 MEMBRANE ATTACHMENT

A. The GenFlex FRM In-Seam Attachment system shall be installed only when the following criteria is met:

1. The 7' 0" (2.13 m) and 9' 6" (2.90 m) o.c. GenFlex FRM system may be installed on roofs up to 50' (15.24 m) above the ground. For buildings exceeding 50' (15.24 m), contact the GenFlex Roofing Systems Technical Department prior to project bidding. This design can be used for roofs requiring the Zone 1 and Zone 2 wind uplift criteria as contained in Loss Prevention Data 1-28 as published by the Factory Mutual Research Corporation. **NOTE:** This does not mean that this system is approved by the Factory Mutual Research Corporation. Contact the GenFlex Roofing Systems Technical Department or consult the Factory Mutual Approval Guide for approved assemblies.
2. The 7' 0" (2.13 m) and 9' 6" (2.90 m) o.c. GenFlex FRM In-Seam System shall be installed with the following bar spacing:

B. Perimeter Bar Anchors

1. Standard Design
 - a. One run of GenFast Bar Anchors or GenFast Polymer Batten Strips is placed 3' 0" (914.40 mm) on the 7' 0" (2.13 m) system and 5' 0" (1.52 m) for the 9' 6" (2.90 m) system from all outside perimeter areas, expansion joints (except expansion joints that are flush or non-raised), and interior walls. This is in addition to perimeter attachment. The bars or strips may be placed on top of the membrane and secured to the substrate and covered with GenFlex Cover Tape with Primer. See details E-71.00 and E-71.01.

2. Non-Penetrating Design

- a. GenFlex Roofing Systems will allow the GenFlex FRM membrane to be fully adhered 10' 0" (3.05 m) from all outside perimeter areas, expansion joints, and interior walls. Use only approved fasteners and insulation. Additional insulation fasteners are required. With the non-penetrating design, one fastener is required every 2 ft² (0.19 m²), 10' (3.05 m) in from all perimeters. Bars or strips are required at edge of adhesive.

3. Field of the Roof

- a. Parallel runs of GenFast 2" Seam Plates (50.80 mm), GenFast Bar Anchors, or GenFast Polymer Batten Strips are spaced 7' 0" (2.13 m) or 9' 6" (2.90 m) on center (in-seam) across the remainder of the field of the roof. Install the bars or strips perpendicular to the direction of the flutes in the field of the roof when installing over metal deck. See details E-70.00 and E-70.01.

C. In-Seam Attachment System - Membrane Splicing with Tape and Field Attachment – 7' 0" (2.13 m) and 9' 6" (2.90 m) o.c.

NOTE: IT IS VERY IMPORTANT THAT BOTH SURFACES ARE FREE OF DEBRIS AND NO MOISTURE IS PRESENT ON THE SPLICING SURFACES.

1. Position the top membrane to overlap the bottom membrane by a minimum 7" (177.80 mm). Mark the bottom membrane 1/2" (12.70 mm) from the edge of the top membrane. Fold the top membrane back 12" to 15" (304.80 mm to 381.00 mm) without creasing.
2. Position GenFast 2" Seam Plate (50.80 mm) 3 1/2" (88.90 mm) in from the outer edge of the bottom sheet at 12" (304.80 mm) o.c. Using approved fasteners, secure plates through bottom sheet only into approved substrate. See details E-6.08 and E-6.09.
3. Stir GenFlex Primer thoroughly before using. **DO NOT THIN.**

Method A: Primer Application with GenFlex Scrub Pad & Handle

- 4A. Push the GenFlex molded handle into the scrub pad material to embed the micro fasteners into the pad material. Dip the pad into the primer, and allow it to saturate with primer.
- 5A. Using a back and forth scrubbing motion, apply the primer to the seaming area to achieve a solidly primed surface without streaks or puddles at the application rate of 200 ft²/gal (4.91 m²/L). Do not overwork the primer or cause globs or irregularities. Primer is required on both membrane surfaces where it will bond with the seam tape. Provided the membrane is new and clean, separate cleaning prior to primer application is not necessary when using the GenFlex Scrub Pad & Handle to apply the primer to the membrane seaming areas.
- 6A. Allow the primer to dry completely to a dry finger touch.

Method B: Primer Application with Brush or Roller

- 4B. Using a clean rag saturated with GenFlex Cleaner, thoroughly clean an area on both sheets at least 4" (101.60 mm) wide where the tape will be applied. Remove all visible talc, and maintain surfaces free from all moisture, oil, or other contaminants. Change rags frequently to avoid depositing previously removed materials. Thoroughly clean the factory seam. Allow the cleaned membrane to dry completely.
- 5B. Apply the primer to the seaming area with brush or roller to achieve a solidly primed surface without streaks or puddles at the application rate of 200 ft²/gal (4.91 m²/L). Primer is required on both membrane surfaces where it will bond with the seam tape.
- 6B. Allow the primer to dry completely to a dry finger touch.

Seam Tape Application:

7. **CENTER** 7" (177.80 mm) wide GenFlex Seam Tape over the seam plates using the layout marks from step 1 above. Unroll seam tape along the bar on the bottom membrane, for the entire length of the seam.

NOTE: DO NOT REMOVE THE BACKING PAPER ON THE SEAM TAPE AT THIS TIME.

8. With the release paper still on the tape, and using a silicone coated, rubber, or steel roller, hand roll the entire strip of seam tape in order to achieve good contact between the membrane and seam tape.
9. Allow the top membrane to fall freely onto the bottom membrane. Pull the release paper from the tape away from the seam. Brush your hand across the top membrane at a right angle to achieve sufficient contact.
10. Using a silicone coated, rubber, or steel roller, hand roll the entire splice, first at a right angle toward the outer edge and then along the length of the splice, thus creating good contact between the membrane and the seam tape. Special attention is needed at the factory seam step-downs.

11. Using a clean rag saturated with GenFlex Cleaner, thoroughly clean the area at the seam tape end lap. Apply a high profile bead of GenFlex EPDM Edge Caulk to the seam and at the seam tape end lap. See detail E-6.12. **NOTE:** Do not apply edge caulk immediately after making splice, but apply no less than two (2) hours after. All splices must be caulked before day's end.
- D. T-Joint Cover Application Instructions (See detail E-6.10).
- NOTE: GENFLEX T-JOINT COVERS ARE REQUIRED OVER ALL INTERSECTIONS WHERE MULTIPLE LAYERS (3 OR MORE) OF EPDM FIELD MEMBRANE COME TOGETHER.**
1. Stir GenFlex Primer thoroughly before using. **DO NOT THIN.**
- Method A: Primer Application with GenFlex Scrub Pad & Handle**
- 2A. Push the GenFlex molded handle into the scrub pad material to embed the micro fasteners into the pad material. Dip the pad into the primer, and allow it to saturate with primer.
 - 3A. Using a back and forth scrubbing motion, apply the primer to the seaming area to achieve a solidly primed surface without streaks or puddles at the application rate of 200 ft²/gal (4.91 m²/L). Do not overwork the primer or cause globs or irregularities. Primer is required on both membrane surfaces where it will bond with the seam tape. Provided the membrane is new and clean, separate cleaning prior to primer application is not necessary when using the GenFlex Scrub Pad & Handle to apply the primer to the membrane seaming areas.
 - 4A. Allow the primer to dry completely to a dry finger touch.
- Method B: Primer Application with Brush or Roller**
- 2B. Using a clean rag saturated with GenFlex Cleaner, thoroughly clean T-joint area at least 12" x 12" (11.11 mm x 11.11 mm) wide where the T-joint cover will be applied. Remove all visible talc, and maintain surfaces free from all moisture, oil, or other contaminants. Change rags frequently to avoid depositing previously removed materials. Thoroughly clean the factory seam. Allow the cleaned membrane to dry completely.
 - 3B. Apply the primer to the seaming area with brush or roller to achieve a solidly primed surface without streaks or puddles at the application rate of 200 ft²/gal (4.91 m²/L). Primer is required on both membrane surfaces where it will bond with the T-joint cover.
 - 4B. Allow the primer to dry completely to a dry finger touch.
- Application of T-Joint Cover:**
5. Position the GenFlex Peel & Stick EPDM T-Joint Cover so that the 10" (254.00 mm) length is in the direction of the continuous seam making the T. **NOTE: THE T-JOINT COVER IS DIRECTIONAL.** Remove the release paper from the T-joint cover. Fold the cover patch in half and hold by the edges while positioning the cover directly over the exact intersection of the T. Apply the cover into the primer, starting in the middle and working outward in all directions. Brush your hand across the top of the T-joint cover to achieve sufficient contact.
 6. Using a silicone coated, rubber, or steel hand roller, first hand roll the step-downs of the seams under the T-joint cover. Then hand roll the entire T-joint cover.
 7. Apply a high profile bead of GenFlex EPDM Edge Caulk around the entire T-joint cover.
- NOTE: A BEAD OF HIGH PROFILE CAULK WILL NEED TO BE APPLIED 6" (152.40 mm) IN EACH DIRECTION OF THE SEAM AREA AWAY FROM THE T-JOINT COVER.**

3.07 PERIMETER AND BASE MEMBRANE SECUREMENT

- A. Regardless of the method used to secure the field of the roofing membrane, some points on every roof require additional membrane securement. These areas include roof perimeters (parapets, transitional walls and edges), deck angle changes in excess of 2"/12" (including drain sump areas), all curb-type roofing penetrations, pipe-type penetrations greater than 12" (304.80 mm) in diameter, both sides of expansion joints and other areas where the membrane must be anchored to prevent movement, stress or damage to the roofing membrane. Refer to the EPDM standard details in this manual for securement requirements.
- Perimeter Attachment
1. GenFlex Roofing Systems offers several different types of attachment methods. Consult the appropriate GenFlex standard detail section of this manual.
 2. Base attachment is required at each roof level, curb skylight, expansion joint and roof penetration over 12" (304.80 mm) in diameter or any angle change in slope or combined slopes that exceed 2" (50.80 mm) in 12" (304.80 mm).

- B. Wood nailers provide a termination point for roofing insulation as well as a securement point for base flashing securement. Wood nailers are not covered by the GenFlex warranty because they are a product by others and considered part of the building structure. Following are GenFlex's requirements for wood nailers:
1. Wood nailers are required at all roof edges where metalwork, drip edges, or gutter systems are specified. The width of the nailer must exceed the width of the flange of any metalwork mounted to it and be of equal thickness to the roof insulation in order to protect the edge of the insulation and provide a substrate to which the metalwork can be anchored, without impeding drainage. Wood nailers are also required under any rooftop curbs that are not mounted directly to the structural deck with the same width and thickness requirements stated above.
 2. Wood Nailers must be #2 Grade or better lumber. Wood treated with preservatives containing creosote, asphalt, pentachlorophenol, copper naphthenate, copper 8-quinolinolate, and alkaline copper quaternaries (ACQ) have an adverse effect on single-ply roofing membranes and are not acceptable for use in a GenFlex roofing system.
 3. In all cases, the wood nailer must be anchored to the deck in an industry accepted method to the designing architect's specification. As a minimum standard, the wood nailers must be anchored sufficiently to resist 200 lb (889.64 N) of force per linear foot in any direction, with fasteners spaced not more than 24" (609.60 mm) apart. Refer to the Perimeter Flashing portion of Factory Loss Prevention Data 1-49 (June 1985) for nailer securement recommendations. Wood nailers are not part of the GenFlex roofing system and are not covered by the GenFlex warranty.

3.08 FLASHINGS (REVIEW THE APPROPRIATE FLASHING DETAIL IN DETAIL SECTION OF THIS MANUAL.)

- A. Roof perimeter flashing and flashing around vents, skylights and miscellaneous roof projections must utilize GenFlex pre-molded EPDM flashings to the greatest extent possible. Field fabricated detail flashings using GenFlex EPDM Flashing or GenFlex Peel & Stick EPDM Flashing are acceptable only when a pre-molded flashing is unfeasible, such as on pipes without top access.
GenFlex Roofing Systems offers numerous options for flashing. See our standard details.
1. Vertical Membrane Flashings (Parapets, Transitional Walls, Curbs, etc.)
Wall, parapet, and/or curb flashings may be completed using standard EPDM membrane equal in gauge (thickness) to the deck membrane.
 - a. Complete seams between the flashing membrane and the field membrane according to GenFlex seaming procedures.
 - b. Stir GenFlex bonding adhesive thoroughly. Achieve a uniform mix with no marbling and no sediment on the bottom of the pail. **DO NOT THIN.**
 - c. Apply GenFlex bonding adhesive to both the flashing material and the vertical substrate to which it is being bonded. See Section 2.03 of this specification for coverage rates of GenFlex bonding adhesives.
 - d. Allow adhesive to flash-off until the surface of the adhesive-coated membrane flashing feels tacky but does not transfer to a clean dry finger or "slide" when a push test is performed.
 - e. Roll the prepared flashing membrane into the angle change, avoiding both sharp creases and excessive bridging, and continue up the vertical substrate without wrinkles, creases or trapped air, while smoothing the flashing to the substrate with a sweeping motion of your hand to promote a positive bond. **NOTE: Allow flashing membrane to bridge slightly at the deck to vertical substrate junction equal to the amount that will still allow a rubber or silicone hand seam roller to make contact with both the vertical and horizontal membrane surfaces simultaneously.**
 - f. Once the flashing has been preliminarily bonded to the vertical substrate by hand, sweep the flashing material with a medium-stiff bristle broom to finish the bonding process.
 - g. Terminate top edge of flashing per GenFlex Roofing Systems standard EPDM details.
 2. Flashing penetrations passing through the roofing membrane.
 - a. Flash all pipes with GenFlex pre-molded pipe boots to the greatest extent possible. Field fabricate pipe flashings with GenFlex EPDM Flashing or GenFlex Peel & Stick EPDM Flashing per standard GenFlex Roofing Systems details when a pre-molded flashing is not feasible. **NOTE: All existing flashings MUST be removed before applying a new flashing.**
- B. Expansion Joints and Building Control Joints.
1. Consult GenFlex Roofing Systems standard details for various application methods: E-11.01, E-11.02, E-11.03, and E-11.04
- C. Pitch Pans
1. Fill pitch pans in accordance with GenFlex Roofing Systems standard details: E-9.01, E-9.02, and E-9.03.

D. Roof Drains

1. Consult GenFlex Roofing Systems standard details E-8.01 and E-8.02.
2. Prepare substrate around each roof drain to prevent membrane bridging or distortion and to provide a smooth transition from the roof surface to the drain clamping ring.
3. The surface between the clamping ring and the drain must be clean and smooth. Remove all existing flashing, cement, or lead on retrofit projects down to bare clean metal.
4. Apply one (1) complete tube of GenFlex Water Stop between drain bowl compression flange and the underside of the new membrane before compressing the new membrane to drain bowl assembly, with the compression ring mounted on the top surface of the new membrane. The detail is only complete when the water stop is fully compressed between the new membrane and the flange of the drain bowl, forming a solid seal between the two. Be careful to compress the assembly evenly to avoid cracking or breaking the drain compression ring. Cracked or broken drain compression rings may result in a reinspection of the finished roof system to make certain corrective measures have been made before GenFlex will accept the roof system for warranty coverage.
5. All bolts and/or clamps must be in place in order to provide constant, even compression. Missing drain bolts may result in a reinspection of the finished roof system to make certain corrective measures have been made before GenFlex will accept the roof system for warranty coverage.
6. Do not run seams through roof drains or sumps. If a seam is run through a drain sump, cut the membrane with the assembled seam outside of the drain compression ring area, and install a target patch of new membrane extending a minimum of 3" (76.20 mm) outside of the sump area and seamed into the field membrane, using GenFlex standard seam tape seaming procedures. Apply T-joint covers as required at the target patch to seam intersections in accordance with GenFlex standard T-joint application procedures.

E. Scuppers

1. Scuppers are to be constructed according to criteria detailed in the Sheet Metal and Air Conditioning Contractors National Association (SMACNA) Manual.
2. As a minimum, GenFlex requirements regarding scuppers are as follows: the scupper assembly must be fabricated from a minimum of 24 ga (0.45 mm) G-90 steel or 0.040" (1.02 mm) aluminum and be sized to fit snugly through the wall opening. All joints must be sealed according to SMACNA standards, and the scupper must include a continuous 3" (76.20 mm) wide interior face flange with continuous rounded corners. The scupper must also be of sufficient length to extend through the exterior wall by at least 1/2" (12.70 mm), and be capable of being sealed on the exterior of the building to prevent backflow into the roof system or wall cavity.
3. In addition to the above, if a scupper is to be mounted at the deck to wall or parapet junction, a wood nailer of equal thickness to the roofing insulation must be secured to the structural deck below the scupper flange to provide a suitable mounting surface for the scupper.
4. Cut the flashing membrane tightly to the scupper opening in the wall.
5. Apply a heavy bead of Water Stop around the scupper opening (15 lf (4.57 m) per tube).
6. Insert the scupper sleeve into the scupper opening, and press the mounting flange into the Water Stop.
7. Secure the flange to the substrate with an appropriate fastener.
8. Flash scupper in accordance with the appropriate current GenFlex scupper detail.

F. Metalwork

1. No roof system is complete until all the edges are terminated in such a way as to prevent water infiltration into the roofed structure. This typically involves the use of manufactured or shop fabricated metal detailing, such as coping caps, gravel stops, roof edging, flashing and counter-flashing components. All metalwork should be fabricated and installed according to SMACNA and National Roofing Contractors Association (NRCA) guidelines. Unless specifically agreed to in writing by the GenFlex Technical Department prior to installation, metalwork manufactured by others is not included in the GenFlex warranty coverage.
2. The designer and roofing contractor should be aware that many municipalities and states are beginning to enforce metal codes that, until recently, were merely used as guidelines. These metal codes relate to minimum standards on material, fabrication, and testing of roof related metalwork. It is the contractor's responsibility to review and know the building codes relating to their roofing projects in order to avoid costly remedial work to bring a project into compliance.
3. If the metalwork on a project is specified by the designer to be included in a full system warranty, use GenFlex brand edge metal and coping products. Contact your sales agent for information.

4. If a metal flashing product by others is submitted via a deviation request for inclusion in the warranty coverage, the following are minimum requirements for consideration:
 - a. The metalwork must be shop or factory formed or extruded.
 - b. The metalwork must be configured and installed in accordance with SMACNA guidelines and NRCA installation instructions.
 - c. Minimum requirements regarding metalwork material are, 24 ga (0.61 mm) G-90 Kynar pre-finished steel or 0.040" (1.02 mm) aluminum (mill finished, pre-finished or anodized).
 - d. A deviation request for inclusion of metalwork in warranty coverage must accompany the Pre-Job Survey form submitted by the installing contractor.
 - e. The deviation request must include shop drawings of the metalwork to be included and a roof plan showing the installed location and linear dimension for each profile.
 - f. Should the deviation request be granted, the installing contractor will be responsible to GenFlex Roofing Systems for a period of two-years from the date of GenFlex inspection and acceptance under their installers agreement.
5. Metalwork installation, regardless of material source, must be according to the metalwork manufacturers instructions available from the manufacturer or supplier.
 - a. Metalwork formed by roofing contractors must be fabricated and installed in accordance with SMACNA and NRCA recommendations. All flange-mounted metalwork must be flashed according to the appropriate GenFlex material type's standard details. Metalwork formed by contractors is not eligible for warranty coverage unless the conditions listed under item "C" above are met and GenFlex accepts the metalwork for warranty coverage in writing.
 - b. Metalwork by roofing contractors must have metal joints stripped-in to the uppermost edge of the metal dam on the roof side.
 - c. EPDM projects with cover tape flange strip-in of metalwork with a gravel dam (or a formed configuration that is capable of holding water on the edge of the installed cover tape) must have edge caulk applied on both sides of the cover tape.
6. The approval of metalwork for inclusion in warranty coverage is conditional upon acceptance by GenFlex Roofing Systems, and, if approved, is subject to the "terms, conditions and limitations" of the requested warranty. Under no circumstance will any warranty coverage for metalwork exceed the wind speed limitation of the warranty issued for the roof system. Aesthetic appearance is expressly excluded from warranty coverage.
7. Metalwork by others is **NOT** permitted on projects requiring system warranties and wind speed coverage equal to, or greater than, 90 mph (144.84 km/h).

G. Night Seal

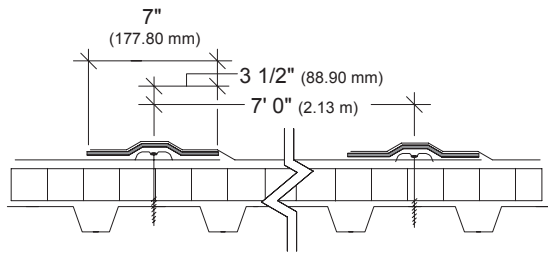
1. Consult GenFlex Roofing Systems standard detail E-19.03.
2. At the completion of each day's work, a watertight seal must be established at any loose edge of membrane with an appropriate sealant. Care must be used to guarantee that no water flows beneath any completed sections of roof. Consult GenFlex Roofing Systems standard night seal detail for method of attachment. Membrane contaminated with the sealant used as a night seal must be cut out and discarded prior to resumption of work.

3.09 WALKWAYS

- A. Consult GenFlex Roofing Systems standard details E-16.02 and E-16.05.
- B. Walkways are required at all access points to the roof system and recommended anywhere routine (routine is defined as once a month or more) traffic on the membrane surface is anticipated. Walkway pads are used to protect the weatherproofing membrane from damage or excessive wear and tear. Traffic-related roof damage is not covered by the GenFlex warranty. In areas of extreme traffic, contact GenFlex for options to enhance the roof system in order to prevent or mitigate traffic-related insulation damage. Walkway maintenance is the responsibility of the building owner because walkway pads are not part of the warranted waterproofing assembly.
- C. Should access to the roofing membrane be required in order to perform warranty service to the roof system, only GenFlex brand walkway pads will be moved and replaced as necessary to perform service at GenFlex's expense. Pavers, walkway systems, patio surface components and other products neither manufactured or supplied by GenFlex Roofing Systems that impede roof system service must be removed and replaced at the building owner's expense. Should the obstacle removal and replacement be performed by the GenFlex contractor servicing a leak call under building owner authorization and/or purchase order, GenFlex assumes no responsibility or liability for the performance of the contractor in performing that service.

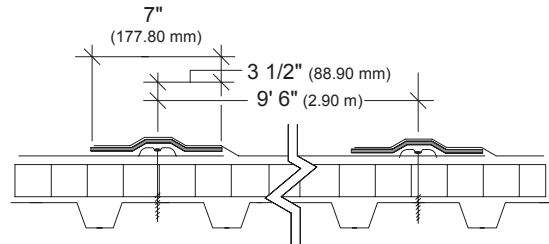
3.10 FINISHED ROOF PROTECTION

- A. When it becomes necessary for other trades to work over a completed area of new roof, the roofing membrane and flashing must be protected from physical damage. Proper and adequate protection includes installing a slip-sheet in the work area overlaid with plywood or OSB, in order to dissipate the effects of traffic on the finished roof surface and to prevent impact damage to the system caused by dropped tools and/or equipment. If damage does occur to the roof system, it must be repaired immediately in order to preserve the integrity of the roof system. If membrane is damaged in more than six (6) locations within a 100 ft² (9.29 m²) area, new membrane extending 6" (152.40 mm) beyond the border of the damaged areas must be installed over existing membrane in accordance with GenFlex specifications. For fully adhered and mechanically attached applications, the membrane must be fully bonded with the existing underlying membrane with a GenFlex approved adhesive. Contact the GenFlex Technical Department with any questions on how to address comprehensive damage.



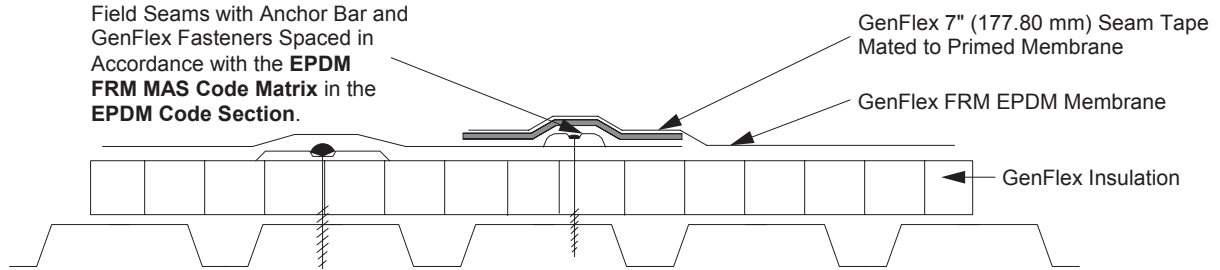
7' 0" (2.13 m) System Layout Pattern

(For use with 7.5' (2.29 m) membrane panels.)
71.01



9' 6" (2.90 m) System Layout Pattern

(For use with 10' (3.05 m) membrane panels.)
71.00



Position insulation and membrane sheets to enable securement into the top flutes on steel decks, ensure positive attachment, and reduce fastener movement. Insulation should be installed with board ends resting on the flute tops.

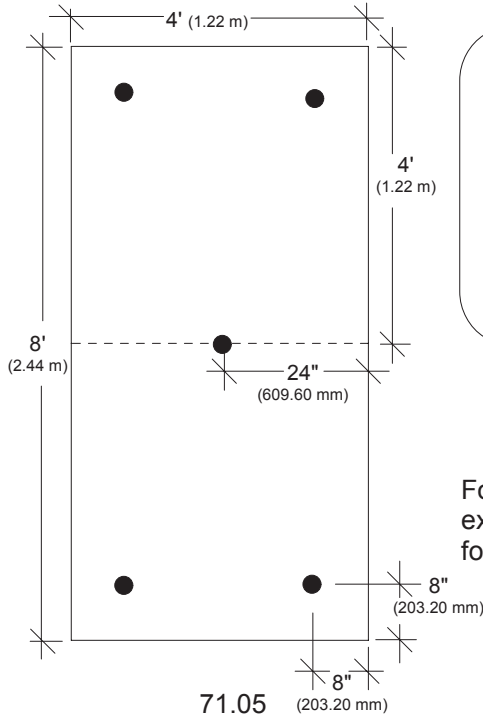


10/06

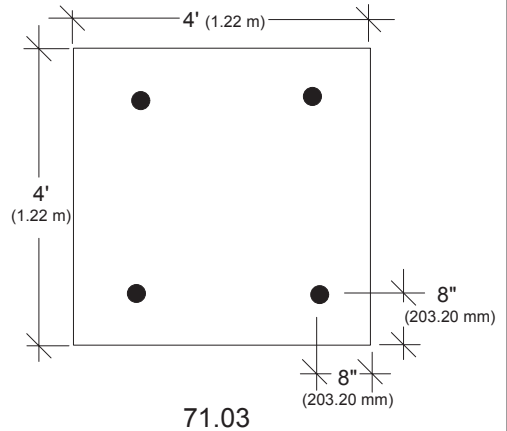
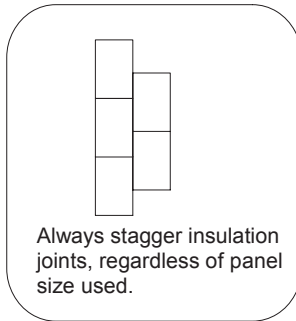
**FRM System
Insulation Cross Section**

Detail #: 71.01 & 71.00

**FRM In-Seam
Attachment Systems**



71.05 (203.20 mm)



71.03

For use on buildings up to 50' (15.24 m) high. If building height exceeds 50' (15.24 m), contact the GenFlex Technical Department for attachment pattern.

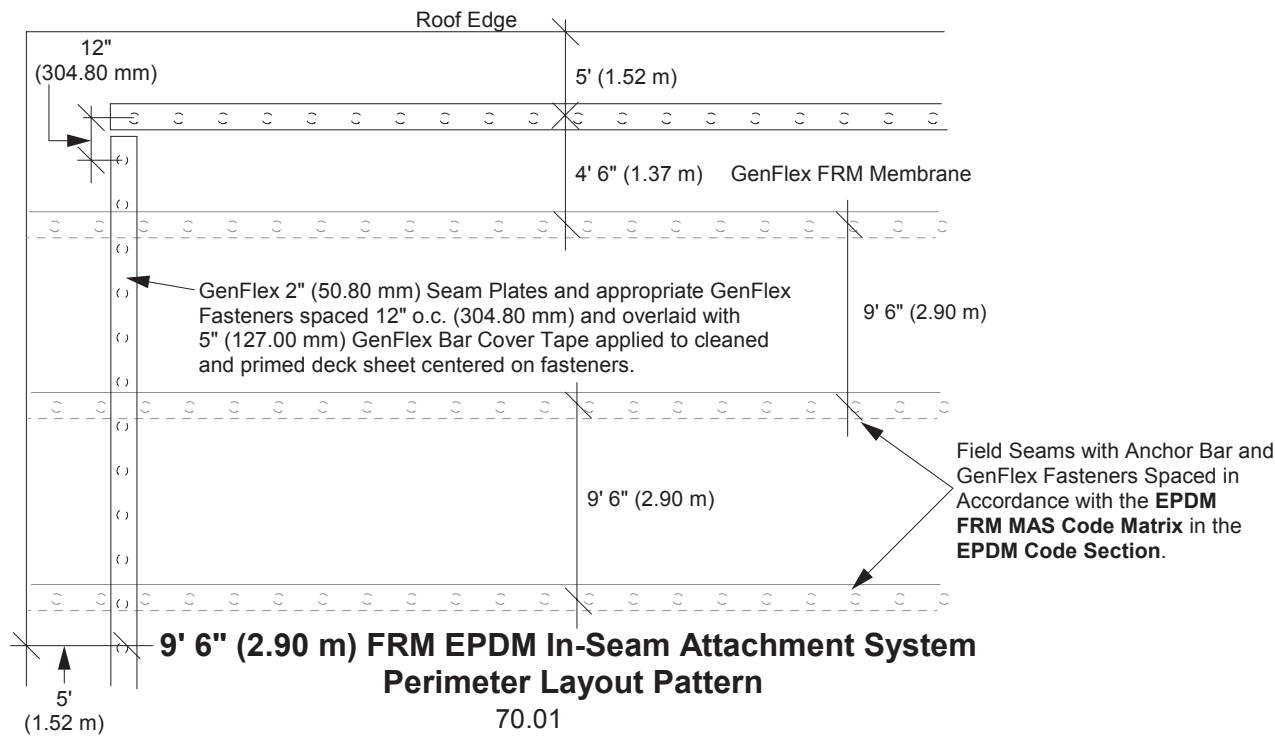
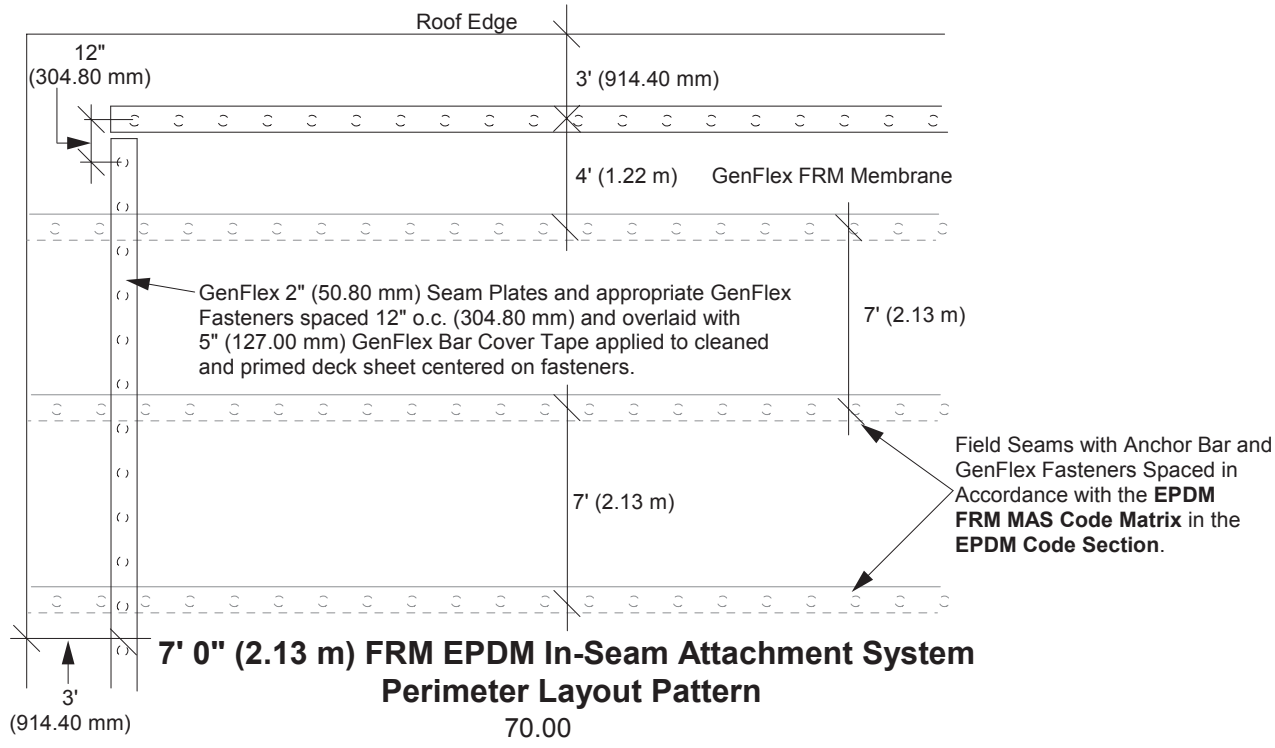


10/06

FRM Insulation Securement

Detail #: 71.05 & 71.03

**FRM In-Seam
Attachment Systems**



10/06

FRM System Perimeter Layout Patterns

Detail #: 70.00 & 70.01

FRM In-Seam Attachment Systems