

**SPECIFICATION 07541.7**  
**GENFLEX TPO METAL RECOVER**  
**MECHANICALLY ATTACHED SYSTEMS**

<b>General</b>		<b>Page</b>
1.01	Description.....	1
1.02	Quality Assurance.....	1
1.03	Submittals.....	1
1.04	Product Delivery, Storage, and Handling.....	2
1.05	Job Conditions (Cautions and Warnings).....	2
1.06	Warranty.....	3
1.07	Codes.....	5
1.08	Acceptable Structural Roof Decks.....	5
1.09	Acceptable Roof System Substrates.....	5
1.10	Acceptable GenFlex Fasteners.....	6
1.11	Wood Nailers.....	6
<b>Products</b>		
2.01	General.....	7
2.02	Membrane.....	7
2.03	Related Materials.....	7
<b>Installation</b>		
3.01	Substrate Criteria.....	8
3.02	Substrate Preparation.....	8
3.03	Insulation Application.....	8
3.04	Insulation Securement.....	9
3.05	Membrane Application.....	9
3.06	Membrane Attachment.....	9
3.07	Seaming.....	10
3.08	Perimeter and Base Membrane Securement.....	10
3.09	Flashings.....	11
3.10	Walkways.....	13
3.11	Finished Roof Protection.....	14
	 System Specific Supplemental Details.....	 15

**SPECIFICATION 07541.7**  
**GENFLEX TPO METAL RECOVER**  
**MECHANICALLY ATTACHED SYSTEMS**

**PART 1 - GENERAL**

**1.01 DESCRIPTION**

- A. GenFlex Roofing Systems recommends the use of a design professional to assure correct roof design for the roofing project, to address any non-standard conditions on the project, and to ensure compliance with applicable building codes.
- B. GenFlex specifications are designed to detail the minimum requirements to obtain a GenFlex warranty on a roofing project. Your roofing project may have additional requirements spelled out in the contract documents above and beyond the GenFlex requirements due to applicable building codes or design characteristics specified by the project designer.
- C. The GenFlex Roofing Systems TPO Metal Recover Mechanically Attached System utilizes GenFlex TPO Membrane adhered to a GenFlex TPO Peel & Stick RMA strip that is anchored to steel purlins in accordance with GenFlex TPO Metal Recover System design requirements.
- D. One GenFlex Roofing Systems applicator shall perform roof application and related work. A single firm is required so that there is undivided responsibility for the performance of the completed roofing system.
- E. Furnish and install the GenFlex Metal Recover Roofing System in strict accordance with drawings and specifications approved by GenFlex Roofing Systems. Refer to the GenFlex web site to review any applicable technical updates.
- F. Related Work  
The work includes, but is not necessarily limited to, the installation of:
  - 1. Vapor Retarders (where required)
  - 2. GenFlex Insulation
  - 3. GenFast Bar Anchors
  - 4. GenFlex Separator Mat
  - 5. GenFast Fasteners
  - 6. GenFlex Roof Membrane
  - 7. GenFlex Flashing
  - 8. GenFlex Metal Flashing
  - 9. GenFlex TPO Peel & Stick RMA
  - 10. Wood Nailer
  - 11. GenFlex Walkway Pads
  - 11. GenFlex Approved Sealants
  - 12. GenFlex Adhesives and Primers
  - 13. GenFlex Metal Edging and Coping per ANSI / SPRI ES-1 (as required)
  - 14. All metalwork to be fastened per Sheet Metal & Air Conditioning Contractors National Association (SMACNA) standards.

**1.02 QUALITY ASSURANCE**

- A. The roofing system must be installed by a licensed GenFlex Roofing Systems applicator for the project to be eligible to receive a manufacturer's system warranty.
- B. There shall be no deviation made from this specification or the detail drawings without written approval from GenFlex Roofing Systems fourteen (14) days prior to the start of the roofing project.
- C. Upon completion of the installation, an inspection shall be conducted by a Technical Representative of GenFlex Roofing Systems to ascertain that the roofing system has been installed according to GenFlex Roofing Systems' most current published specifications and details. This inspection is not intended to be a final inspection for the benefit of the owner. It is for the benefit of GenFlex Roofing Systems to determine whether a warranty can be issued.
- D. It is the roofing applicator's responsibility to adhere to all applicable local and national building codes for roofing system installation requirements and limitations in his/her geographical area.
- E. For specific code and testing agency approvals achieved by GenFlex Roofing Systems, refer to the agency's published listings or call the GenFlex Roofing Systems Technical Department.

**1.03 SUBMITTALS**

- A. Submit a Pre-Job Survey form to the GenFlex Roofing Systems Technical Department for approval PRIOR to the job start. This enables the Technical Department to approve the intended assembly and assign a job number to the project. This submittal may include deviation request forms or pullout test results, depending on the project criteria.
  - 1. The Pre-Job Survey must be filled out completely and accurately to include any prior deviations approved

from this specification.

2. The Pre-Job Survey must have a roof drawing or shop drawing attached for the project to be assigned a job number. The roof drawing must show: a) the dimensions of the roof system being submitted for warranty coverage, b) the location of all curbs installed during initial application, c) the type and thickness of insulation used in each area, d) the penetration count by either plotting or listing the penetrations installed during the initial application broken down into the various categories, e.g. pipes, drains, pourable sealer pockets, etc. This information is required in order to protect both GenFlex Roofing Systems and the installing contractor from additional liability for alterations performed to the roof system without GenFlex's knowledge or involvement. The Technical Department requests a separate roof drawing for each roof assembly type installed on a project. For example, a project consisting of an adhered and a ballasted system would require two separate roof plans. If the two different assemblies are on the same building, please indicate their proximity to one another on the roof plans for reference purposes.
- B. When material & workmanship or full systems warranties are desired, GenFlex Roofing Systems must receive the Pre-Job Survey or be contacted prior to project bid and installation. Additional information may be required for the wind design of the system.
- C. Upon completion of the project, the roofing contractor shall notify GenFlex Roofing Systems of the date of completion, and request a final inspection.
- D. Upon completion of the roof inspection by a Technical Representative of GenFlex Roofing Systems, satisfactory completion of any punch list items, and receipt of applicable warranty fees, the warranty may be issued to the installing contractor.

#### **1.04 PRODUCT DELIVERY, STORAGE AND HANDLING**

- A. Deliver materials in original, unopened containers.
- B. Containers shall be labeled with manufacturer's product name and general information.
- C. All materials, excluding the membrane, should be stored between 60 °F (16 °C) and 80 °F (27 °C). If materials are exposed to lower temperatures, restore material to 60 °F (16 °C) minimum temperature before using.
- D. Store all materials, including membrane, in a dry, protected area. Damaged materials must not be used. Installed materials found to be damaged shall be replaced at contractor's expense.
- E. Protect the membrane from abuse or damage during storage.
- F. Protect all stored materials from inclement weather by covering with breathable tarpaulins until ready to install. Anchor or weigh down the weather protection properly to prevent wind-related damage.
- G. Improperly stored insulation that has been allowed to get wet shall not be used in a warranted roof system and shall be replaced at the contractor's expense. In cases where the wet insulation is isolated to only a few boards per bundle, only those boards that have been wet must be replaced. Failure to replace insulation boards that have been exposed to moisture can result in bowing or curling of the insulation because the material may dry unevenly while in the roof system. This may adversely affect the dimensional stability of the insulation material. In either case, the removal and replacement of the affected insulation shall be the responsibility of the installing contractor as a punch list item or under their two-year obligation if discovered after the initial inspection but within twenty-four (24) months of the date of GenFlex's acceptance of the installation.
- H. Keep insulation tarped and protected from moisture until ready for installation. Do not install more insulation than can be roofed over in the same workday.

#### **1.05 JOB CONDITIONS (CAUTIONS AND WARNINGS)**

**NOTE:** Prior to the use of any GenFlex Roofing Systems product, consult Material Safety Data Sheets for applicable cautions and warnings.

- A. Do not use oil or bituminous base roof cement with GenFlex materials.
- B. Do not install GenFlex membrane directly in contact with new or resaturated asphalt.
- C. Do not expose membrane or accessories to temperatures of 180 °F (82 °C) or above.
- D. Do not allow waste products, such as petroleum grease, oil, or solvents, or direct steam venting to come in contact with the GenFlex roofing system. Any exposures not typical for normal roofing installation must be presented to GenFlex Roofing Systems for assessment of any impact on the performance of the roofing system.
- E. Do not install GenFlex membrane directly in contact with coal tar pitch or asphalt roof surfaces.
- F. When using an insulation / underlayment attachment method other than mechanical securement with GenFlex

fasteners of an approved type, size and length, there may be additional factors to take into consideration. The primary issues to consider include:

1. The products involved and the performance of asphalt attachment or insulation adhesive by others will not be included in the GenFlex system warranty coverage because they are products supplied by others. Separate warranty coverage may be available from the manufacturer of the product being used, but it is separate from the GenFlex warranty coverage and may be pursued by the installing contractor or property owner.
  2. For insulation / underlayment attachment methods other than loose laid for ballasted systems and mechanically anchored to GenFlex specification for adhered and mechanically attached systems, the maximum allowed board size is 4' x 4' (1.2 m x 1.2 m).
  3. When using insulation adhesive, verify that the approved substrate has not been altered by coatings, sealants, or additives. NOTE: Unless the GenFlex Technical Department provides written approval of specific products and / or applications prior to the start of a roofing project, alteration of the bonding substrate (e.g. application of primers and / or sealants, etc.) voids warranty coverage for the insulation attachment.
- G. Do not tear off more roof than can be covered the same workday.
- H. Do not install more roofing insulation than can be roofed over and sealed the same workday.
- I. Do not phase roofing installation. Complete all details daily, and install night seals as required to ensure the installed roofing components are protected from moisture.
- J. Perform daily quality control checks of installed seams and details, and correct any identified deficiencies each and every workday to prevent moisture from entering the roof system.
- K. Cold weather application of GenFlex adhesives and sealants requires special consideration. As specified in the Product Delivery, Storage and Handling section above, the GenFlex roofing adhesives, solvents, caulks and sealants must be stored at service temperatures ranging from 60 °F (16 °C) to 80 °F (27 °C) prior to use. Refer to product data sheets for all products and technical bulletins for installation precautions
- L. Cold weather application of GenFlex TPO membranes requires special consideration.
1. Thermoplastic membrane roofs are assembled with hot air welded seams, using electric powered hot air welders. Cold weather applications require extra attention to ambient conditions because fluctuations in temperature and wind can adversely affect the welding parameters established at the beginning of the workday.
  2. During a cold weather application, it is important to reestablish welding parameters after every break in hot air welding, e.g. lunch, at the beginning of each workday, etc. Conduct a welding test on some scrap membrane, and set up the welding equipment correctly for the current conditions.

## 1.06 WARRANTY

GenFlex Roofing Systems offers several levels of warranty coverage on roofing systems installed using GenFlex brand products. Available coverage ranges from membrane only warranties to full system material and labor warranties. Full system warranties include coverage for ALL GenFlex brand materials used in a new roof assembly and the workmanship used to install the GenFlex products.

The level of warranty coverage sought on the project is indicated by the installing contractor on the Pre-Job Survey form submitted during the project registration process. The project registration information submitted by the contractor is then validated against the requirements for the type and length of warranty sought during the project review process before a job number is issued on a project. Listed below are some of those requirements for consideration. Additional system specific and warranty specific requirements apply and are subject to change at any time through the technical update bulletin notification process. Review the latest technical updates on the GenFlex web site for the most current information.

Because each warranty type and term carries specific requirements, requests from the installing contractor and/or property owner to change the warranty type or term after installation may or may not be honored, depending on the actual installed roofing assembly and components.

- A. A project is eligible for warranty coverage by GenFlex Roofing Systems, including workmanship for those materials supplied by GenFlex Roofing Systems, when the project is completed according to the most current GenFlex specification by a GenFlex Roofing Systems licensed applicator. Sub-contracting installation labor to an unlicensed contractor without GenFlex's explicit written authorization renders the roofing project non-warrantable. If a project is rendered non-warrantable due to unlicensed installation labor, a membrane only

warranty will be issued instead of the requested system or labor and material warranty.

- B. When a full system warranty or a warranty that exceeds ten years of coverage is specified for a project, a complete tear-off to the structural deck is required. On a deviation basis, subject to GenFlex review and acceptance, an independent moisture survey may be submitted instead of a tear-off. For a moisture survey to be considered, the survey must have documented core cuts with findings fully specified. All wet insulation identified during the core cut process must be removed prior to reroofing and replaced with an acceptable new material. GenFlex's acceptance of the moisture survey does not indicate the insulation is suitable for recover, and GenFlex does not accept any liability for the performance of the existing insulation. Any existing insulation left in place and recovered is expressly excluded from warranty coverage and remains the responsibility of the building owner.
- C. Upon approved inspection of the completed installation by a GenFlex Roofing Systems Technical Representative and receipt of the appropriate warranty fees, a warranty may be issued to the installing contractor.
- D. The workmanship warranty is available for roofing systems installed on commercial, industrial, or institutional buildings only and is not available for single family residences, walking decks, terraces, patios or areas subjected to conditions not typically found on roofing systems.
- E. The warranty period is expressed on the warranty certificate, which reflects the inclusive dates of coverage.
- F. GenFlex insulation and fasteners are required on all full system warranted projects and on projects with warranty terms greater than ten years.
- G. If the metalwork on a project is specified by the designer to be included in a full system warranty, use GenFlex brand edge metal and coping products. Contact your Territory Sales Manager or Representative for additional information.
- H. If a metal flashing product by others is submitted via a deviation request for inclusion in the warranty coverage, the following are minimum requirements for consideration:
  - 1. The metalwork must be shop or factory formed or extruded.
  - 2. The metalwork must be configured and installed in accordance with SMACNA guidelines and NRCA installation instructions.
  - 3. Minimum requirements regarding metalwork material are, 24 ga (0.61 mm) G-90 Kynar pre-finished steel or 0.04" (1.02 mm) aluminum (mill finished, pre-finished or anodized).
  - 4. A deviation request for metalwork inclusion in warranty coverage must accompany the Pre-Job Survey form submitted by the installing contractor.
  - 5. The deviation request must include shop drawings of the metalwork to be included and a roof plan showing the installed location and linear dimension for each profile.
  - 6. Should the deviation request be granted, the installing contractor will be responsible to GenFlex Roofing Systems for materials and installation labor performance for a period of two years from the date of acceptance by GenFlex under their installers agreement.

NOTE: The approval of shop fabricated metalwork for inclusion in warranty coverage is conditional upon acceptance by GenFlex Roofing Systems, and, if approved, is subject to the "terms, conditions and limitations" of the requested warranty. Under no circumstance will any warranty coverage for metalwork exceed the wind speed limitation of the warranty issued for the roof system. Aesthetic appearance is expressly excluded from warranty coverage. Metalwork by others is not permitted on projects warranted for wind speeds of 90 mph (144.84 km/h) or higher.
- I. Contact GenFlex Roofing Systems for additional warranty information.
- J. When it is anticipated that GenFlex membranes will be exposed to animal fats, petroleum grease or other grease products, the owner or owner's representative is responsible for specifying that a sacrificial sheet, sand trap, or grease trap type containment product must be used to protect the waterproofing roof membrane.
- K. It shall be the owner's responsibility to expose the membrane in the event that warranty service is required when access is impaired. Such impairment could include, but is not limited to:
  - 1. Design features, such as window washer systems, which require the installation of traffic surface units in excess of 80 lb (36.3 kg) per unit.
  - 2. Any equipment, ornamentation, building service units, or other rooftop surfacing materials which are not defined as part of the roofing system.
  - 3. Rooftop equipment that does not provide GenFlex with reasonable access to the membrane system for purposes of warranty investigation and related repairs.
  - 4. Standing water, snow, ice, or other materials unrelated to the roof system.
- L. Warranty coverage is limited to a maximum 54 mph (86.9 km/h) wind speed and does not cover damage that

results from failure of other building components, such as dislodged metalwork, wood nailers, rooftop units, or other materials not included in the GenFlex warranty coverage.

### 1.07 CODES

- A. Because codes and ratings are routinely updated and revised, it is important to consult with a GenFlex Regional Technical Manager or Territory Sales Manager or Representative before quoting a project requiring compliance to a specific code rating. Contact GenFlex for code requirements that may pertain to your specific project.
- B. It is the contractor's responsibility to ensure compliance with designer specified code requirements on a project. GenFlex Roofing Systems does not inspect for compliance to code required enhancements to roof systems.

### 1.08 ACCEPTABLE STRUCTURAL ROOF DECKS

GenFlex Roofing Systems strongly recommends that you review its requirements and restrictions prior to each roofing project. Please note that 24 to 28 gauge (0.61 mm to 0.38 mm) steel decks require submission of pullout test results in order to determine acceptability for a GenFlex fully adhered assembly. Steel decks less than 28 gauge (0.38 mm) are not acceptable.

### 1.09 ACCEPTABLE ROOF SYSTEM SUBSTRATES

An acceptable substrate will provide a smooth surface capable of fully supporting a GenFlex roof assembly and anticipated roof loads. When used to support an adhered roof system with either mechanically attached or bonded insulation to the deck, the acceptable insulation substrate must also possess sufficient structural integrity to secure the roofing membrane to the structure when the membrane is bonded to it. Thermal value to the roof assembly, when applicable, must also be considered when choosing an insulation substrate. When insulation is used as a roof substrate, the insulation must be capable of being supported by the structural deck. For example, a typical steel deck would not support wood fiber alone but would support an isocyanurate insulation board with a wood fiber overlay. On steel decks with 22 Gauge (0.76 mm) minimum thickness, an approved minimum thickness insulation board must be used. Insulation shall be mechanically fastened with appropriate fasteners and plates. Contact the GenFlex Technical Department for alternative methods to attach insulation to metal decks. A suitable substrate can be an existing roof surface, a structural deck, or insulation as detailed in the following table.

**TABLE 1.09**

<b>Acceptable Insulations</b>			
<b>Insulation Type</b>	<b>Manufacturer Names</b>	<b>Minimum Thickness</b>	<b>Acceptable for use on these systems:</b>
Isocyanurate	<b>GenFlex Roofing Systems<sup>A</sup></b>	1" (25.4 mm) min. 1 1/2" (38.1 mm) min.	All (1)
Wood Fiber	<b>GenFlex Roofing Systems<sup>A</sup></b> International Buildrite, Georgia Pacific	1" (25.4 mm) min. for Std. 1/2" (12.7 mm) min. for High Density	All (1)
Polystyrene (Expanded or Extruded)	<b><i>Dow Chemical, ACH Foam Technologies</i></b>	1" (25.4 mm) min.	All (1 & 2)
Gypsum Board	<b><i>Georgia Pacific (DensDeck)<sup>B</sup></i></b>	1/4" (6.4 mm) 1/2" (12.7 mm)	All (1)
<p>NOTES:</p> <ol style="list-style-type: none"> <li>Insulation thickness must be minimum thickness required by manufacturer to span openings in the deck. In some cases, it may be necessary to use a support layer of insulation.</li> <li>Except ballast, expanded and extruded polystyrene insulation must be 1 lb minimum density and be overlaid with acceptable cover board. Contact GenFlex for other options with expanded and extruded polystyrene insulations.</li> </ol> <p><sup>A</sup><b>Products in bold are covered by the GenFlex warranty when installed in a warranted system.</b></p> <p><sup>B</sup><b><i>Products in bold italic are covered by the GenFlex warranty when purchased through GenFlex Roofing Systems.</i></b></p>			

## 1.10 ACCEPTABLE GENFLEX FASTENERS

Warranted GenFlex roof systems must be assembled using GenFast fasteners of appropriate type and length installed at the rate specified in the insulation attachment, and if applicable, the membrane attachment portion of the Installation Section of this specification. The application rate of fasteners specified in the sections mentioned above is based on an approved deck providing 300 lb (1 334.5 N) minimum pullout resistance. For projects with decks requiring pullout testing, a completed pullout test result form is required with the Pre-Job Survey Form in order to register the project with GenFlex.

**TABLE 1.10**

<b>GenFlex Fastener Application Guide</b>				
<b>GenFlex Fastener Type</b>	<b>Approved Accessories</b>	<b>Insulation Attachment</b>	<b>Membrane Attachment</b>	<b>Deck Types</b>
GenFast #12 Fastener	1	Yes	No	Steel, Wood
GenFast #14 Fastener	1,4,5,6	Yes	Yes	Steel, Wood
GenFast #15 (WH) Fastener	1,5,7	Yes	Yes	Steel, Wood, Concrete
GenFast #16 Max Fastener	7,10	No	Yes	Steel, Wood,
GenFast #12 Preassembled Fastener & Plate	N/A	Yes	No	Steel, Wood
GenFast #15 Preassembled Fastener & Plate	N/A	Yes	Yes	Steel, Wood, Concrete
GenFast CD-10 Concrete Fastener	1,4,5,6	Yes	Yes	Concrete
GenFast Lite-Deck Fastener	2,8	Yes	Yes	Gypsum, Cementitious Wood Fiber
GenFast Purlin Fastener	5,6	Yes	Yes	Steel Purlins
GenFast NTB Fastener	3,9	Yes	Yes	Gypsum, Cementitious Wood Fiber
<b>Insulation Plate Options:</b> <ul style="list-style-type: none"> <li>1) GenFast Insulation Plate</li> <li>3) GenFast NTB Insulation Plate</li> </ul>				
<b>Membrane Securement Options:</b> <ul style="list-style-type: none"> <li>2) GenFast Lite-Deck Plate</li> <li>4) GenFast 2" Seam Plate</li> <li>5) GenFast (WH) 2 3/8" Seam Plate</li> <li>6) GenFast Bar Anchor</li> <li>7) GenFast Polymer Batten Strip</li> <li>8) GenFast Lite-Deck Bar</li> <li>9) GenFast NTB Seam Plate</li> <li>10) GenFast 3" Max Seam Plate</li> </ul>				
<p><b>This is only a partial representation of GenFlex Roofing Systems codes. Please contact the GenFlex Technical Department if you have any code related questions regarding assemblies not referenced.</b></p>				
<p><b>NOTE:</b> GenFlex fasteners are required on all full system and 15 &amp; 20 year warranties.</p> <ul style="list-style-type: none"> <li>1. GenFlex fasteners shall be corrosion resistant coated and comply with Factory Mutual Standard 4470.</li> <li>2. Insulation fasteners shall be suitable for the insulation used.</li> <li>3. All screw type fasteners shall be a GenFast fastener for membrane securement.</li> <li>4. No hex head fasteners are permitted for insulation securement in GenFlex Metal Recover warranted systems.</li> </ul>				
<p><b>CAUTION: Use appropriate fastener for substrate.</b></p>				

## 1.11 WOOD NAILERS

Wood nailers provide a termination point for roofing insulation as well as a securement point to tie the roof system into the building shell. Wood nailers are not covered by the GenFlex warranty because they are a product by others and considered part of the building structure. Following are GenFlex's requirements for wood nailers:

- A. Wood nailers are required at all roof edges where metalwork, drip edges, or gutter systems are specified. The width of the nailer must exceed the width of the flange of any metalwork mounted to it and be of equal thickness to the roof insulation in order to protect the edge of the insulation and provide a substrate to which the metalwork can be anchored, without impeding drainage. Wood nailers are also required under any rooftop curbs that are not mounted directly to the structural deck with the same width and thickness requirements stated above.
- B. Wood Nailers must be #2 Grade or better lumber. Wood treated with preservatives containing creosote, asphalt, pentachlorophenol, copper naphthenate, copper 8-quinolinolate, and alkaline copper quaternaries (ACQ) have an adverse effect on single-ply roofing membranes and are not acceptable for use in a GenFlex roofing system.

- C. In all cases, the wood nailer must be anchored to the deck in an industry accepted method to the designing architect's specification. As a minimum standard, the wood nailers must be anchored sufficiently to resist 200 lb (889.6 N) of force per linear foot in any direction with fasteners spaced not more than 24" (609.6 mm) apart. Refer to the Perimeter Flashing portion of Factory Loss Prevention Data 1-49 (June 1985) for nailer securement recommendations. Wood nailers are not part of the GenFlex roofing system and are not covered by the GenFlex warranty.

## PART 2 – PRODUCTS

### 2.01 GENERAL

- A. The components of the GenFlex TPO Roofing System are to be products of GenFlex Roofing Systems or approved by GenFlex Roofing Systems as compatible and acceptable. Unless specifically included in the warranty coverage by GenFlex Roofing Systems, products by others are excluded from coverage.

### 2.02 MEMBRANE

- A. GenFlex TPO membrane is available in a variety of membrane thickness and sheet width combinations that are illustrated in the table in Section 2.02 of the GenFlex Roofing Systems Design Criteria. Not all sheet widths shown are stock items. Consult your GenFlex Customer Service Representative regarding lead time for nonstock sheet length / width combinations.

### 2.03 RELATED MATERIALS

The following list contains the names of other GenFlex products and accessories that could be required in order to complete the roofing system. With the exception of walkway pads, which are considered maintenance items, GenFlex manufactured or supplied material is covered in the limited warranty, provided a warranty is purchased for the project.

NOTE: Prolonged exposure of adhesives and sealants to temperatures greater than 80 °F (27 °C) will reduce their shelf life. Shelf life is indicated on the product label or in the product information data for the particular product item which can be found at [www.genflex.com](http://www.genflex.com).

#### TPO

A. TPO Non-Reinforced Flashing	24" x 50' (609.6 mm x 15.2 m)
B. TPO Coated Metal	4' x 10' (1.2 m x 3.0 m) sheets
C. Bonding Adhesive	200 ft <sup>2</sup> /gal (4.9 m <sup>2</sup> /L) / 1 and 3 gallon (3.8 and 11.4 L) pails
D. TPO Cover Tape	5.5" x 100' (127.0 mm x 30.5 m) / 2 rolls per ctn
E. Clear Primer	350 lf/gal (28.2 m/L) / 3 gallon (11.4 L) pail / 1 qt (0.9 L) can / 6 cans per carton
F. TPO Edge Caulk	15' to 20' (4.6 to 6.1 m) per tube / 10 per carton
G. TPO Edge Sealant	115' (35.1 m) per bottle / 12 bottles per carton
H. TPO Heat Weldable Walkway Pad	30" x 50' x 5/32" (762.0 mm x 15.2 m x 4.0 mm)
I. Cleaner	5 gal (18.93 L) pails / 5 gallon (18.92 L) pail
J. TPO Inside-Outside Corner	10 per carton
K. TPO Reinforced Outside Corner	10 per carton
L. TPO Pipe Boot	1" to 6" (25.4 to 152.4 mm) / 10 per ctn
M. Peel & Stick TPO Pipe Boot	1" to 6" (25.4 to 152.4 mm) / 8 per ctn
N. TPO Reinforced Pipe Boot	1" to 6" (25.4 to 152.4 mm) / 10 per ctn
O. TPO T-Joint Cover	4 1/2" (114.3 mm) round / 100 pieces per carton
P. TPO Peel & Stick RMA	10" x 100' (254.0 mm x 30.5 m) / 1 roll per carton
Q. TPO Peel & Stick RPS	6" x 100' (152.4 mm x 30.5 m) / 2 rolls per carton
R. White Seam Tape	3" x 100' (76.2 mm x 30.5 m) / 4 rolls per ctn
S. Scrub Pad & Handle	3" x 5" (76.2 x 127.0 mm) / 30 pads & 4 handles per ctn

#### MULTI-SYSTEM ACCESSORIES

A. Insulation	Polyiso, Wood Fiber, EPS, XPS, Dens Deck
B. GenFast Fastener	#12, #14, #15 (WH), #16 Max, CD-10, Purlin, Lite-Deck, NTB / quantity per ctn varies
C. GenFast Insulation Plate	3", Lite-Deck, NTB
D. GenFast Seam Plate	2", (WH) 2 3/8", 3" Max., NTB / 1,000 per ctn
E. GenFast Bar Anchor	1" x 10' (25.4 mm x 3.0 m) / 50 per ctn
F. GenFast Polymer Batten Strip	1" x 250' (25.4 mm x 76.2 m)
G. GenFast Lite-Deck Bar	1" x 10' (25.4 mm x 3.0 m) / 500' (152.4 m) per tube
H. GenFast Preamsembled Fastener & Plate	#12, #15 / 250 pcs per ctn
I. One Step Insulation Adhesive	200 to 600 ft <sup>2</sup> per 4 pk ctn of 1.58 qt cartridges) (18.6 to 55.7 m <sup>2</sup> per 4 pk carton of 1500 mL cartridges)

J. All Purpose Water Based Bonding Adhesive	120 ft <sup>2</sup> /gal (2.9 m <sup>2</sup> /L) / 5 gallon (18.9 L) pail
K. Pourable Sealer (A & B)	1 ft <sup>2</sup> /gal (0.02 m <sup>2</sup> /L) at 2" (50.8 mm) thick
L. Water Stop	15 lf (4.6 m) per tube / 12 per ctn
M. Termination Caulk	24 lf (7.3 m) per tube / 12 per ctn
N. GenFast Termination Bar	1 1/4" x 10' (31.8 mm x 3.0 m) / 50 per ctn
O. GenFast 1 1/4" Zinc Masonry Anchor	1 1/4" (31.8 mm) / 1000 per ctn
P. Ace Coating	100 ft <sup>2</sup> /gal (2.5 m <sup>2</sup> /L) / 5 gallon (18.9 L) pail
Q. Separator Mat	15' x 320' (4.6 x 97.5 m)

**CONSULT THE PRODUCT DATA SHEETS AVAILABLE ON-LINE AT [WWW.GENFLEX.COM](http://WWW.GENFLEX.COM) FOR ADDITIONAL PRODUCT INFORMATION.**

## **PART 3 – INSTALLATION**

### **3.01 SUBSTRATE CRITERIA**

- A. The building owner or owner's representative is responsible for providing and determining that the substrate is suitable to receive the GenFlex Mechanically Attached TPO Metal Recover Roofing System. The GenFlex licensed contractor should not proceed until all defects have been corrected. If possible, begin roof installation at the high point of the roof, and work toward the lowest point.

### **3.02 SUBSTRATE PREPARATION**

- A. Mechanically attached systems require the insulation to be attached no less than 1 GenFlex Fastener and Plate for every 6.4 ft<sup>2</sup> (0.6 m<sup>2</sup>), or 5 GenFlex fasteners and insulation plates per 4' x 8' (1.2 x 2.4 m) board.
- B. A positive slope is recommended to provide adequate drainage. Per NRCA guidelines, there should be no ponding water on the roofing system 48 hours after it has stopped raining.
- C. Any existing sprayed-in-place urethane foam roofs must be removed prior to the installation of this roofing system.
- D. Sweep the area of roof being covered to remove any loose dirt and debris.
- E. Cut the filler nailer boards to fit snugly between the metal roof ribs, and build up using multiple layers to equal the metal roof rib height. Install one continuous nailer board over the installed layers of filler nailer boards. Secure the nailers through the metal roof panels and into the building framework, e.g. purlin, to achieve a minimum of 200 lb (889.7 N) of pullout resistance per linear foot of nailer assembly. See detail TMRM-14.01.

### **3.03 INSULATION APPLICATION**

- A. Fill the metal roof area between the high ribs with a filler insulation board either supplied or field cut to span from rib to rib equal in thickness to the rib height. The rib top must be beneath the surface level of the fill insulation. If the metal panel is fastened through the top of the rib, the fill material should be thick enough so no damage occurs to the bottom of the cover board. Refer to table 1.09 for acceptable insulation.
- B. Overlay the fill insulation with a GenFlex approved cover board. Apply the cover board perpendicular to the metal roof panels. The cover board must be of sufficient thickness to span any gaps remaining between fill panels.
- C. Stagger all insulation joints the maximum amount possible, and lay out with all joints tightly butted. Any gaps greater than 1/4" (6.4 mm) wide must be filled with matching insulation material.
- D. When installing insulation thicker than 2 1/2" (63.5 mm), use multiple layers to maximize insulation thermal efficiency.
- E. When using multiple layers of insulation on a project, install each subsequent layer with the long axis running perpendicular to the layer below it with all joints staggered and tightly butted.
- F. Fit insulation tightly to roof penetrations, wood nailers, transitional walls, and parapets with any gaps greater than 1/4" (6.4 mm) filled with like material prior to membrane application.
- G. Insulation thickness, including flute filler, should not exceed 6" (152.4 mm). This allows for proper fastener penetration through the purlins.

### 3.04 INSULATION SECUREMENT

- A. All insulation must be mechanically attached to the approved structural deck using GenFlex fasteners of appropriate type and length and insulation plates installed at the rate of one fastener and plate per 6.4 ft<sup>2</sup> (0.19 m<sup>2</sup>), or 5 fastener assemblies per 4' x 8' (1.22 m x 2.44 m) board.

NOTE: In the event the insulation is installed over an air barrier, the insulation securement must be in accordance with GenFlex Fully Adhered Roof System requirements.

### 3.05 MEMBRANE APPLICATION

- A. Membrane
1. Position the GenFlex TPO membrane over the approved substrate without stretching.
  2. Allow the membrane to relax a minimum of one-half (1/2) hour prior to any seaming or flashing.
  3. Position all adjoining sheets in a manner that all sheets overlap a minimum of 2 1/2" (63.5 mm).

### 3.06 MEMBRANE ATTACHMENT

- A. Membrane Attachment
1. The GenFlex Mechanically Attached TPO Metal Recover System may be installed on roofs up to 50' (15.2 m) in height. For heights exceeding 50' (15.2 m), contact the GenFlex Roofing Systems Technical Department. For approved assemblies, contact GenFlex Roofing Systems or consult the Factory Mutual Approval.
  2. Securement of the membrane within the perimeters along the eave edge is achieved by mating the membrane to the RMA strip positioned over the first two (2) purlins. Rake edges are secured by positioning the RMA Strip along every purlin a minimum of 5' (1.5 m) from rake edge into field of roof. See details TMRM-42.10 and TMRM-42.11.
  3. The TPO Peel & Stick RMA must be secured to the first purlin parallel to the ridge when applicable. See Detail TMRM-19-05.
  4. Securement for the membrane in the field of the roof is accomplished by fastening the RMA strip into the steel purlins spaced 10' (3.0 m) on center for 12" o.c. (304.8 mm o.c.) fastener attachment and 12' (3.7 m) on center for 6" o.c. (152.4 mm o.c.) fastener attachment. The RMA Strip is secured to the purlins with a GenFlex Metal Bar Anchor or GenFlex 2 3/8" Seam Plate and GenFast Purlin Fasteners.
  5. Fold sheet back without creasing, along the GenFlex TPO Peel & Stick RMA, so the underside of the sheet is exposed. Be sure the sheet fold is smooth with no wrinkles or buckles.
  6. Stir GenFlex Clear Primer thoroughly. Achieve a uniform mix with no marbling and no sediment on the bottom of the pail.
  7. Apply clear primer to the exposed bottom side of the membrane along the secured RMA Strip with a scrub pad and handle, extending the clear primer a minimum 1" (25.4 mm) wider than the edges of the RMA strip. Avoid globs or puddles of primer. Do not apply primer to the RMA Strip. Refer to Section 2.03 of this specification for coverage rates of GenFlex primer.
  8. Allow primer to dry to the point that it feels tacky to the touch but does not transfer to a clean, dry finger when you conduct a "push" test. If the surface dries to the point that it no longer feels tacky, reapply a coat of primer to membrane at the prescribed application rate, and allow to flash-off again to the proper drying condition.  
NOTE: Do not allow primer to come into contact with areas that will be hot air welded. If contamination occurs, remove any contaminants prior to hot air welding seams.
  9. Remove release paper from the RMA Strip and roll the primer-coated membrane onto the RMA Strip, avoiding wrinkles.
  10. Using a silicone coated roller, hand roll the entire area where the membrane is in contact with the RMA strip to achieve maximum contact.
  11. Any wrinkles found in the splice between the membrane and the RMA Strip must be cut out, laid flat, and repaired using TPO membrane and standard hot air seam welding procedures.
  12. Position adjoining membrane panels in same manner, lapping edges a minimum of 2 1/2" (63.5 mm), to allow for proper seam overlap.

### 3.07 SEAMING (See Detail TMRM-6.01)

- A. NOTE: IT IS VERY IMPORTANT THAT BOTH SURFACES ARE CLEAN AND NO MOISTURE IS PRESENT ON THE SPLICING SURFACES.
1. Position the top membrane to overlap the bottom membrane by 2 1/2" (63.5 mm).
  2. If seam area has become contaminated with dirt or debris, use a clean rag saturated with GenFlex cleaner and thoroughly clean an area on both sheets at least 4" (101.6 mm) wide. Change rags frequently to avoid depositing previously removed materials. Allow cleaner to flash-off completely prior to seaming.
  3. Using an approved automatic heat welding machine or hand held heat gun and silicone roller, continuously weld a minimum 1 1/2" (38.1 mm) wide seam. GenFlex recommends that only approved automatic walker welders be used to weld all field seams. See Hot Air Welder Specifications. Special attention must be paid to areas where multiple layers (3 or more) of TPO field membrane come together (T joints).
    - a. T-Joint covers are recommended for applications involving 45 mil (1.14 mm) membrane if probing reveals the presence of voids or cold welds and are required for applications involving 60 mil (1.52 mm) membrane regardless of probing results. T-joint covers are marketed by GenFlex in packages of pre-cut covers or can be field formed by cutting 4" x 4" (101.6 mm x 101.6 mm) pieces from a roll of GenFlex TPO Non-Reinforced Flashing.
    - b. A GenFlex TPO T-Joint Cover or 4" x 4" (101.6 mm x 101.6 mm) pieces of GenFlex TPO Non-Reinforced Flashing shall be used in areas where three (3) or more layers of TPO membrane intersect (T Joints).
    - c. Clean the area where the T-joint cover will be applied thoroughly with GenFlex Cleaner. The area should be 6" (152.4 mm) round and have the intersection of the T-joint at its center point.
    - d. Position the T-joint cover so that it is centered on the T-joint.
    - e. Hot air weld the T-joint cover into place in accordance with GenFlex hot air welding requirements.
    - f. Allow the hot air welded T-joint cover to cool thoroughly, and then probe its edges to be certain of a solid weld.
    - g. Repair voids or cold welds as necessary to obtain a solid weld between T-joint cover and the underlying TPO membrane layers.
  4. All welded seams must be manually checked for voids or seal deficiencies after the seam has cooled. Probe the entire seam area with a dull cotter key extractor. In addition, there must be destructive testing performed at the beginning of every workday and every time there is an interruption in the welding process. (E.g. Power failure, welder shut down, change in job site conditions, or after lunch). All deficiencies must be repaired.
  5. All TPO membrane cut edges with exposed reinforcement scrim require an application of GenFlex TPO Edge Sealant by the end of the workday in which the membrane with the raw edge is installed in the roofing system. Failure to seal the raw membrane edge before moisture wicks into the scrim may result in an inferior hot air weld if not already welded, and/or a leak source, depending on the location of the cut edge in relation to fasteners penetrating the membrane. Issues relating to unsealed edges will be corrected by the installing contractor at the contractor's expense as either a punch list item or under their two-year obligation if identified by GenFlex within twenty-four (24) months of approved final inspection.

### 3.08 PERIMETER AND BASE MEMBRANE SECUREMENT

- A. Regardless of the method used to secure the field of the roofing membrane, some points on every roof require additional membrane securement. These areas include roof perimeters (parapets, transitional walls and edges), deck angle changes in excess of 2"/12" (including drain sump areas), all curb-type roofing penetrations, pipe-type penetrations greater than 12" (304.8 mm) in diameter, both sides of expansion joints and other areas where the membrane must be anchored to prevent movement, stress or damage to the roofing membrane. Refer to the TPO standard details in this manual for securement requirements.

#### Perimeter Attachment

1. GenFlex Roofing Systems offers several different types of attachment methods. Consult the appropriate GenFlex standard detail section of this manual.
2. Base attachment is required at each roof level, curb skylight, expansion joint and roof penetration over 12" (304.8 mm) in diameter or any angle change in slope or combined slopes that exceed 2" (50.8 mm) in 12" (304.8 mm).

- B. Wood nailers provide a termination point for roofing insulation as well as a securement point for base flashing securement. Wood nailers are not covered by the GenFlex warranty because they are a product by others and considered part of the building structure. Following are GenFlex's requirements for wood nailers:
1. Wood nailers are required at all roof edges where metalwork, drip edges, or gutter systems are specified. The width of the nailer must exceed the width of the flange of any metalwork mounted to it and be of equal thickness to the roof insulation in order to protect the edge of the insulation and provide a substrate to which the metalwork can be anchored, without impeding drainage. Wood nailers are also required under any rooftop curbs that are not mounted directly to the structural deck with the same width and thickness requirements stated above.
  2. Wood Nailers must be #2 Grade or better lumber. Wood treated with preservatives containing creosote, asphalt, pentachlorophenol, copper naphthenate, copper 8-quinolinolate, and alkaline copper quaternaries (ACQ) have an adverse effect on single-ply roofing membranes and are not acceptable for use in a GenFlex roofing system.
  3. In all cases, the wood nailer must be anchored to the deck in an industry accepted method to the designing architect's specification. As a minimum standard, the wood nailers must be anchored sufficiently to resist 200 lb (889.6 N) of force per linear foot in any direction with fasteners spaced not more than 24" (609.6 mm) apart. Refer to the Perimeter Flashing portion of Factory Loss Prevention Data 1-49 (June 1985) for nailer securement recommendations. Wood nailers are not part of the GenFlex roofing system and are not covered by the GenFlex warranty.

### **3.09 FLASHINGS (REVIEW THE APPROPRIATE FLASHING DETAIL IN DETAIL SECTION OF THIS MANUAL.)**

- A. Roof perimeter flashing and flashing around vents, skylights and miscellaneous roof projections must utilize GenFlex pre-molded TPO flashings to the greatest extent possible. Field fabricated detail flashings using GenFlex TPO Non Reinforced Flashing are acceptable only when a pre-molded flashing is unfeasible, such as on pipes without top access.
1. Vertical Membrane Flashings (Parapets, Transitional Walls, Curbs, etc.)  
Wall, parapet, and/or curb flashings may be completed using standard TPO membrane or Peel & Stick TPO membrane equal in gauge (thickness) to the deck membrane.
    - a. Complete seams between the flashing membrane and the field membrane according to GenFlex hot air welding procedures.
    - b. Stir GenFlex bonding adhesive thoroughly. Achieve a uniform mix with no marbling and no sediment on the bottom of the pail.
    - c. Apply GenFlex bonding adhesive to both the flashing material and the vertical substrate to which it is being bonded. See Section 2.03 of this specification for coverage rates of GenFlex bonding adhesives.
    - d. Allow adhesive to flash-off until the surface of the adhesive-coated membrane flashing feels tacky but does not transfer to a clean dry finger or "slide" when a push test is performed.
    - e. Roll the prepared flashing membrane into the angle change, avoiding both sharp creases and excessive bridging, and continue up the vertical substrate without wrinkles, creases or trapped air, while smoothing the flashing to the substrate with a sweeping motion of your hand to promote a positive bond. NOTE: Allow flashing membrane to bridge slightly at the deck to vertical substrate junction equal to the amount that will still allow a rubber or silicone hand seam roller to make contact with both the vertical and horizontal membrane surfaces simultaneously.
    - f. Once the flashing has been preliminarily bonded to the vertical substrate by hand, sweep the flashing material with a medium-stiff bristle broom to finish the bonding process.
    - g. Terminate top edge of flashing per GenFlex Roofing Systems standard TPO details.
  2. Flashing penetrations passing through the roofing membrane.
    - a. Flash all pipes with GenFlex pre-molded pipe boots to the greatest extent possible. Field fabricate pipe flashings with GenFlex TPO Non-Reinforced Flashing per standard GenFlex Roofing Systems details when a pre-molded flashing is not feasible. NOTE: All existing flashings must be removed before applying a new flashing.
- B. Expansion Joints and Building Control Joints.
1. Consult GenFlex Roofing Systems standard details for various application methods: T-11.01, T-11.02, T-11.03, and T-11.04.

### C. Pitch Pans

1. Fill pitch pans in accordance with GenFlex Roofing Systems standard details: T-9.01, T-9.02, and T-9.03.

### D. Roof Drains

1. Consult GenFlex Roofing Systems standard details T-8.01 and T-8.02.
2. Prepare substrate around each roof drain to prevent membrane bridging or distortion and to provide a smooth transition from the roof surface to the drain clamping ring.
3. The surface between the clamping ring and the drain must be clean and smooth. Remove all existing flashing, cement or lead on retrofit projects down to bare clean metal.
4. Apply one (1) complete tube of GenFlex Water Stop between drain bowl compression flange and the underside of the new membrane before compressing the new membrane to drain bowl assembly, with the compression ring mounted on the top surface of the new membrane. The detail is only complete when the water stop is fully compressed between the new membrane and the flange of the drain bowl, forming a solid seal between the two. Be careful to compress the assembly evenly to avoid cracking or breaking the drain compression ring. Cracked or broken drain compression rings may result in a reinspection of the finished roof system to make certain corrective measures have been made before GenFlex will accept the roof system for warranty coverage.
5. All bolts and/or clamps must be in place in order to provide constant, even compression. Missing drain bolts may result in a reinspection of the finished roof system to make certain corrective measures have been made before GenFlex will accept the roof system for warranty coverage.
6. Do not run seams through roof drains or sumps. If a seam is run through a drain sump, cut the membrane with the assembled seam outside of the drain compression ring area, and install a target patch of new membrane extending a minimum of 3" (76.2 mm) outside of the sump area and seamed into the field membrane, using GenFlex standard seam tape seaming procedures. Apply T-joint covers as required at the target patch to seam intersections in accordance with GenFlex standard T-joint application procedures.

### E. Scuppers

1. Scuppers are to be constructed according to criteria detailed in the Sheet Metal and Air Conditioning Contractors National Association (SMACNA) Manual.
2. As a minimum, GenFlex requirements regarding scuppers are as follows: the scupper assembly must be fabricated from a minimum of 24 ga (0.45 mm) G-90 steel, 0.040" (1.02 mm) aluminum, or GenFlex TPO Coated Metal and be sized to fit snugly through the wall opening. All joints must be sealed according to SMACNA standards, and the scupper must include a continuous 3" (76.2 mm) wide interior face flange with continuous rounded corners. The scupper must also be of sufficient length to extend through the exterior wall by at least 1/2" (12.7 mm), and be capable of being sealed on the exterior of the building to prevent backflow into the roof system or wall cavity.
3. In addition to the above, if a scupper is to be mounted at the deck to wall or parapet junction, a wood nailer of equal thickness to the roofing insulation must be secured to the structural deck below the scupper flange to provide a suitable mounting surface for the scupper.
4. Cut the flashing membrane tightly to the scupper opening in the wall.
5. Apply a heavy bead of Water Stop around the scupper opening (15 lf (4.6 m) per tube).
6. Insert the scupper sleeve into the scupper opening, and press the mounting flange into the Water Stop.
7. Secure the flange to the substrate with an appropriate fastener.
8. Flash scupper in accordance with the appropriate current GenFlex scupper detail.

### F. Metalwork

1. No roof system is complete until all the edges are terminated in such a way as to prevent water infiltration into the roofed structure. This typically involves the use of manufactured or shop fabricated metal detailing, such as coping caps, gravel stops, roof edging, flashing and counter-flashing components. All metalwork should be fabricated and installed according to SMACNA and National Roofing Contractors Association (NRCA) guidelines. Unless specifically agreed to in writing by the GenFlex Technical Department prior to installation, metalwork manufactured by others is not included in the GenFlex warranty coverage.
2. The designer and roofing contractor should be aware that many municipalities and states are beginning to enforce metal codes that, until recently, were merely used as guidelines. These metal codes relate to minimum standards on material, fabrication, and testing of roof related metalwork. It is the contractor's

- responsibility to review and know the building codes relating to their roofing projects in order to avoid costly remedial work to bring a project into compliance.
3. If the metalwork on a project is specified by the designer to be included in a full system warranty, use GenFlex brand edge metal and coping products. Contact your Territory Sales Manager or Representative for information.
  4. If a metal flashing product by others is submitted via a deviation request for inclusion in the warranty coverage, the following are minimum requirements for consideration:
    - a. The metalwork must be shop or factory formed or extruded.
    - b. The metalwork must be configured and installed in accordance with SMACNA guidelines and NRCA installation instructions.
    - c. Minimum requirements regarding metalwork material are, 24 ga (0.61 mm) G-90 Kynar pre-finished steel or 0.040" (1.02 mm) aluminum (mill finished, pre-finished or anodized).
    - d. A deviation request for inclusion of metalwork in warranty coverage must accompany the Pre-Job Survey form submitted by the installing contractor.
    - e. The deviation request must include shop drawings of the metalwork to be included and a roof plan showing the installed location and linear dimension for each profile.
    - f. Should the deviation request be granted, the installing contractor will be responsible to GenFlex Roofing Systems for a period of two-years from the date of GenFlex inspection and acceptance under their installers agreement.
  5. Metalwork installation, regardless of material source, must be according to the metalwork manufacturers instructions available from the manufacturer or supplier.
    - a. Metalwork formed by roofing contractors must be fabricated and installed in accordance with SMACNA and NRCA recommendations. All flange-mounted metalwork must be flashed according to the appropriate GenFlex material type's standard details. Metalwork formed by contractors is not eligible for warranty coverage unless the conditions listed under item "C" above are met and GenFlex accepts the metalwork for warranty coverage in writing.
    - b. Metalwork by roofing contractors must have metal joints stripped-in to the uppermost edge of the metal dam on the roof side.
    - c. TPO projects with cover tape flange strip-in of metalwork with a gravel dam (or a formed configuration that is capable of holding water on the edge of the installed cover tape) must have GenFlex TPO Edge Caulk applied on both sides of the cover tape.
    - d. Gravel stop style metalwork on TPO roof systems may be fabricated from GenFlex TPO Coated Metal in order to provide a suitable welding surface to seal the roof system to the metalwork. As an alternative on some TPO applications, it may be appropriate and permissible to use a two-piece snap on fascia assembly instead of clad metal. Consult your GenFlex Regional Technical Manager for options.
  6. The approval of metalwork for inclusion in warranty coverage is conditional upon acceptance by GenFlex Roofing Systems, and, if approved, is subject to the "terms, conditions and limitations" of the requested warranty. Under no circumstance will any warranty coverage for metalwork exceed the wind speed limitation of the warranty issued for the roof system. Aesthetic appearance is expressly excluded from warranty coverage.
  7. Metalwork by others is not permitted on projects requiring full system warranties and wind speed coverage equal to, or greater than, 90 mph (144.8 km/h).
- G. Night Seal
1. Consult GenFlex Roofing Systems standard detail T-19.03 .
  2. At the completion of each day's work, a watertight seal must be established at any loose edge of membrane with an appropriate sealant. Care must be used to guarantee that no water flows beneath any completed sections of roof. Consult GenFlex Roofing Systems standard night seal detail for method of attachment. Membrane contaminated with the sealant used as a night seal must be cut out and discarded prior to resumption of work.

### **3.10 WALKWAYS**

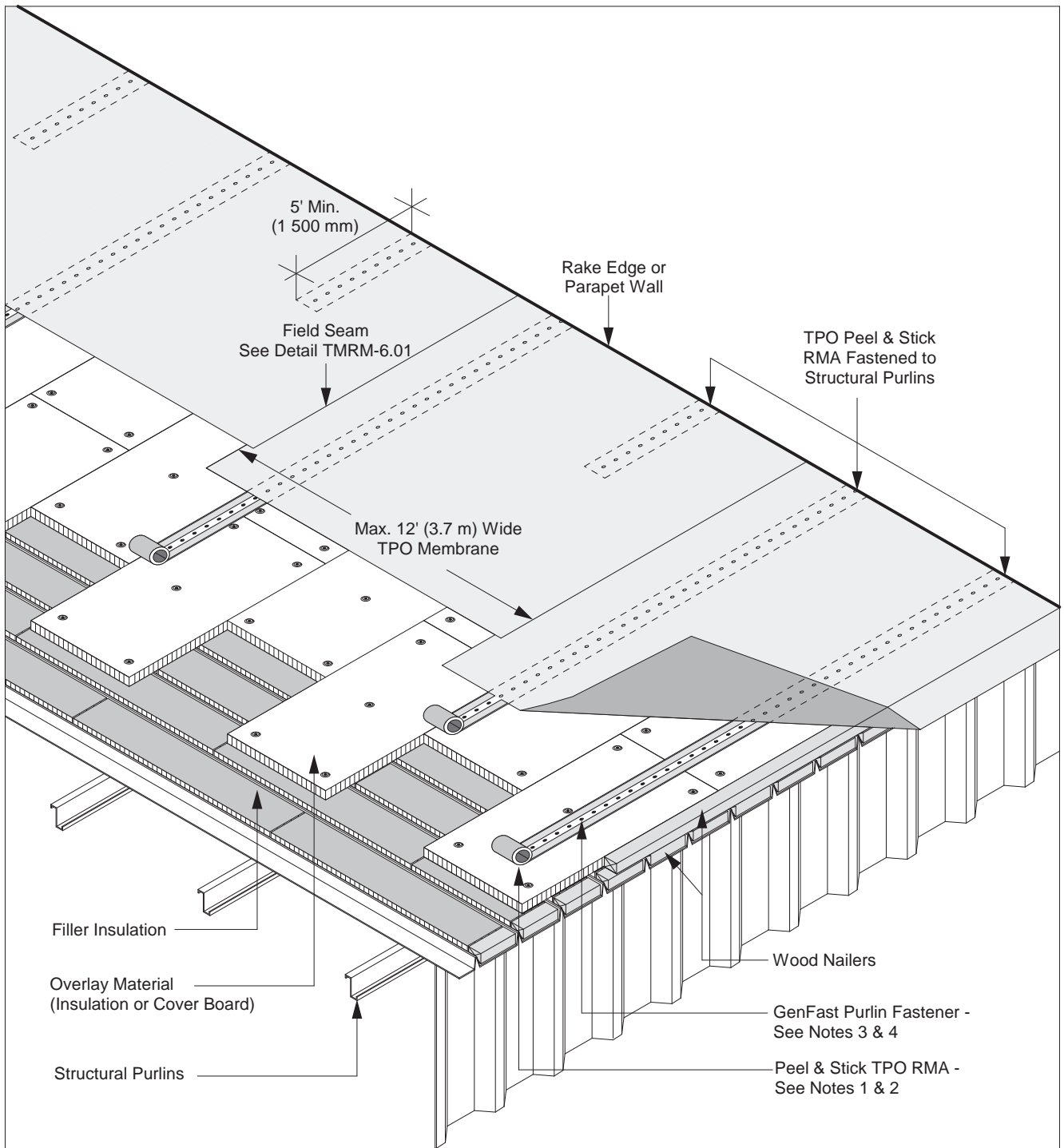
- A. Consult GenFlex Roofing Systems standard detail T-16.04.
- B. Walkways are required at all access points to the roof system and recommended anywhere routine (routine is defined as once a month or more) traffic on the membrane surface is anticipated. Walkway pads are used to protect the weatherproofing membrane from damage or excessive wear and tear. Traffic-related roof

damage is not covered by the GenFlex warranty. In areas of extreme traffic, contact GenFlex for options to enhance the roof system in order to prevent or mitigate traffic-related insulation damage. Walkway maintenance is the responsibility of the building owner because walkway pads are not part of the warranted waterproofing assembly.

- C. Should access to the roofing membrane be required in order to perform warranty service to the roof system, only GenFlex brand walkway pads will be moved and replaced as necessary to perform service at GenFlex's expense. Pavers, walkway systems, patio surface components and other products neither manufactured or supplied by GenFlex Roofing Systems that impede roof system service must be removed and replaced at the building owner's expense. Should the obstacle removal and replacement be performed by the GenFlex contractor servicing a leak call under building owner authorization and/or purchase order, GenFlex assumes no responsibility or liability for the performance of the contractor in performing that service.

### **3.11 FINISHED ROOF PROTECTION**

- A. When it becomes necessary for other trades to work over a completed area of new roof, the roofing membrane and flashing must be protected from physical damage. Proper and adequate protection includes installing a slip-sheet in the work area overlaid with plywood or OSB, in order to dissipate the effects of traffic on the finished roof surface and to prevent impact damage to the system caused by dropped tools and/or equipment. If damage does occur to the roof system, it must be repaired immediately in order to preserve the integrity of the roof system. If membrane is damaged in more than six (6) locations within a 100 ft<sup>2</sup> (9.3 m<sup>2</sup>) area, new membrane extending 6" (152.4 mm) beyond the border of the damaged areas must be installed over existing membrane in accordance with GenFlex specifications. For fully adhered and mechanically attached applications, the membrane must be fully bonded with the existing underlying membrane with a GenFlex approved adhesive. Contact the GenFlex Technical Department with any questions on how to address comprehensive damage.



1. GenFlex TPO Peel & Stick RMA must be fastened along the entire length of both structural purlins located closest to the ridge.
2. Prime the backside of the TPO membrane with Clear Primer prior to attaching to the RMA strip.
3. GenFast Purlin Fasteners must penetrate the structural purlin a minimum of 1.5" (38.1 mm) total.
4. If structural purlins are spaced every 5' (1.5 m), fastener spacing is not to exceed 12" (304.8 mm) o.c. If structural purlins are spaced every 6' (1.8 m), fastener spacing is not to exceed 6" (152.4 mm) o.c.

**GenFlex**

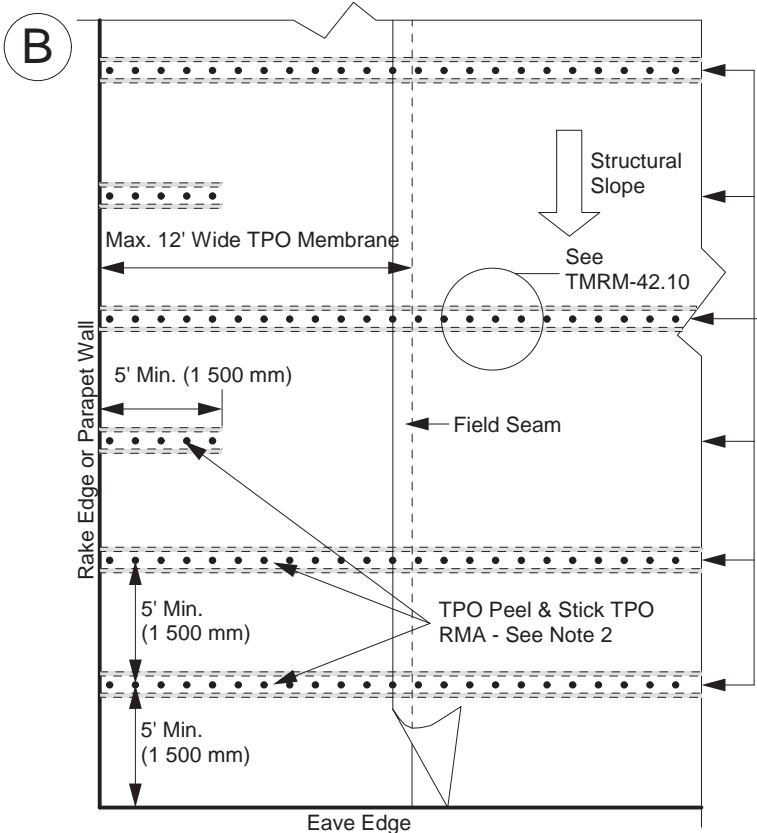
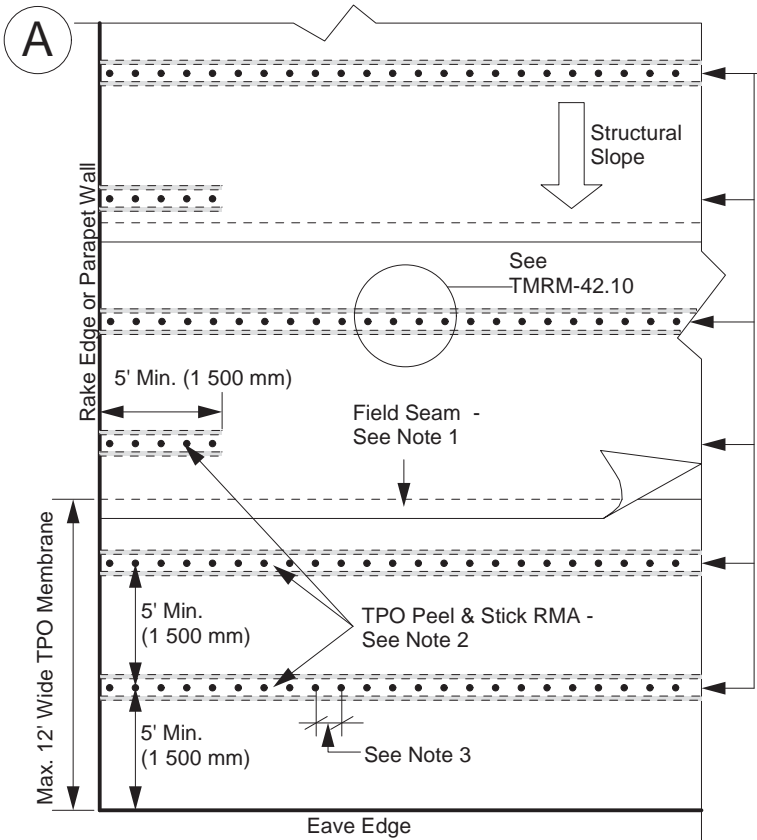
03/10

**Membrane Layout and Attachment**

**Detail #:  
TMRM-42.10**

**TPO Metal Recover  
Mechanically Attached System**

# GenFlex TPO Membrane



1. When membrane sheets are positioned perpendicular to the roof slope, all field splices must be shingled. See GenFlex standard TPO details for seaming options. For structural slopes of 3/12 or greater, GenFlex recommends positioning membrane panels parallel to slope. See B below.
2. GenFlex TPO Peel & Stick RMA must be secured along the entire length of the first two structural purlins adjacent to the eave edge, and every second purlin after that. Use GenFlex Purlin Fasteners and GenFast 2 3/8" Seam Plates or Bar Anchor. GenFlex TPO Peel & Stick RMA Strip must be fastened to every purlin along the rake edge / parapet wall, extending a minimum of 5' (1.5 m) into the roof from the edge / wall as shown.
3. If structural purlins are spaced every 5' (1.5 m) (as shown), fastener spacing is not to exceed 12" o.c. (304.8 mm o.c.) If structural purlins are spaced every 6' (1.8 m), fastener spacing is not to exceed 6" o.c. (152.4 mm o.c.)
4. If the building has any of the following conditions, contact the GenFlex Technical Department for assistance in determining half sheet requirements:
  - A) Large wall openings totaling 10% or more of any wall area.
  - B) Canopies open below the roof deck.
  - C) In the immediate vicinity of large bodies of water or coastline.
  - D) Building height in excess of 50' (15.2 m).
  - E) Vapor barrier included in assembly.
5. This system does not qualify for wind speeds warranties in excess of 54 mph or 15 years in length.

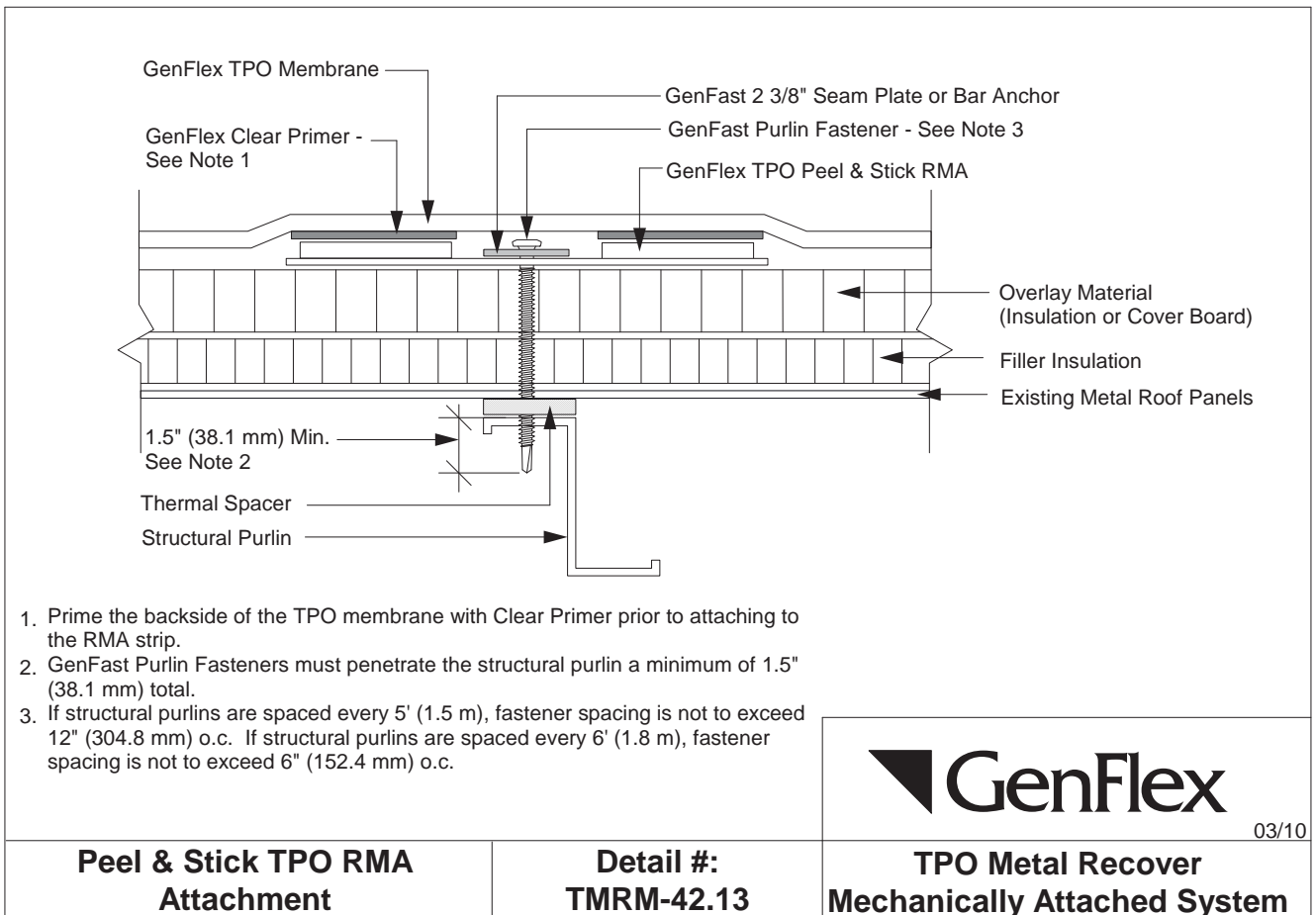
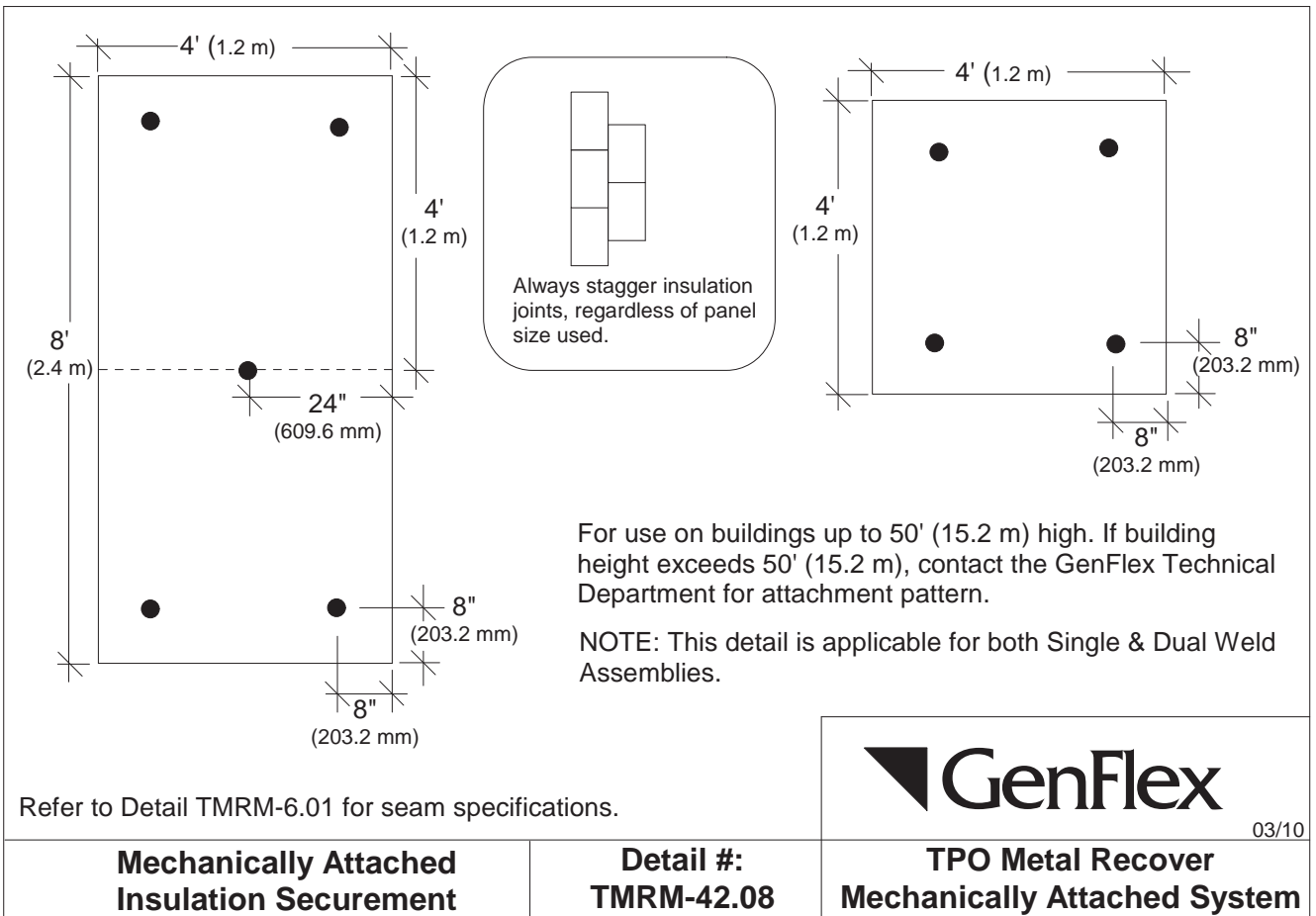


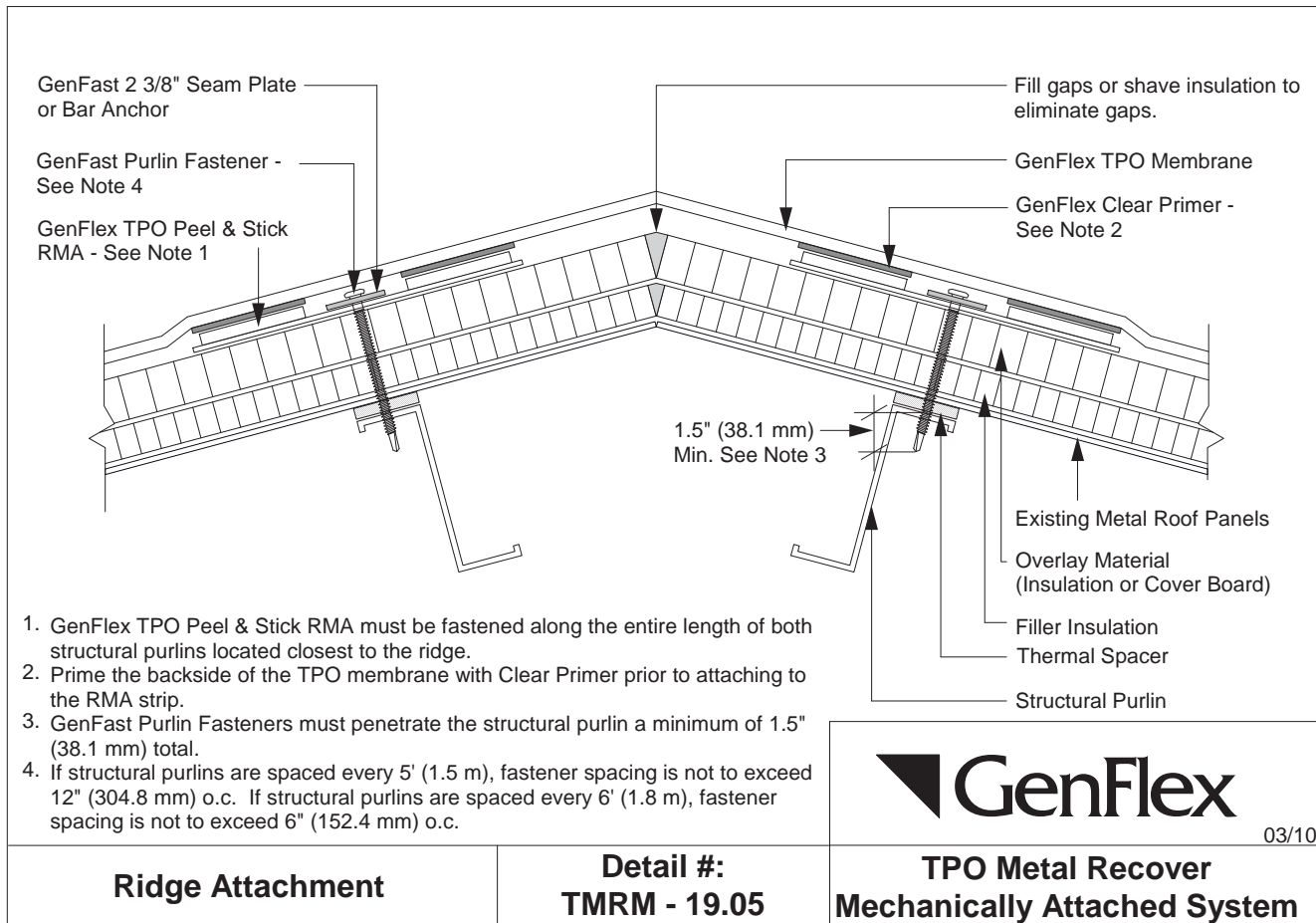
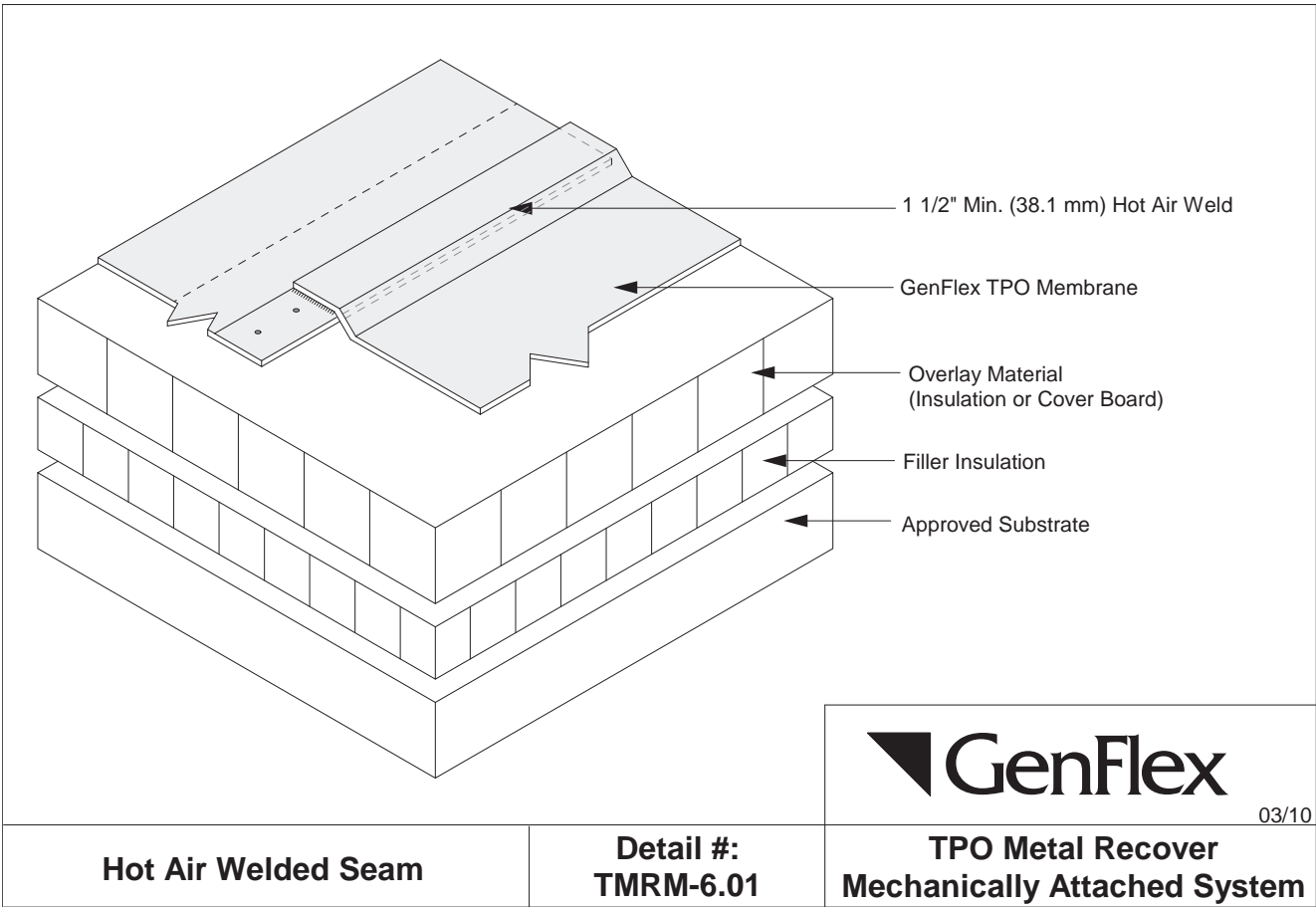
03/10

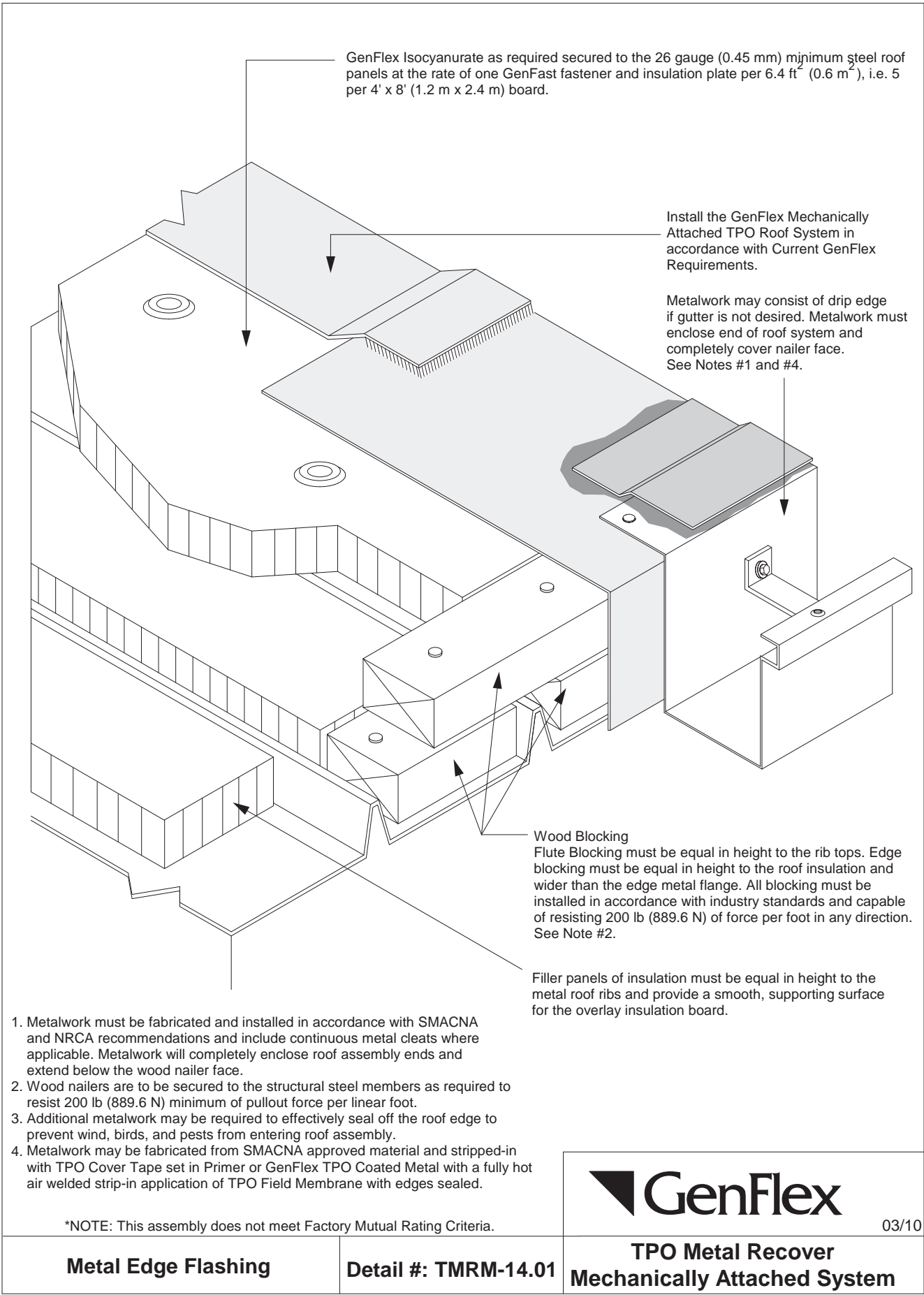
**Perimeter Securement Layout**

**Detail #:  
TMRM-42.11**

**TPO Metal Recover  
Mechanically Attached System**





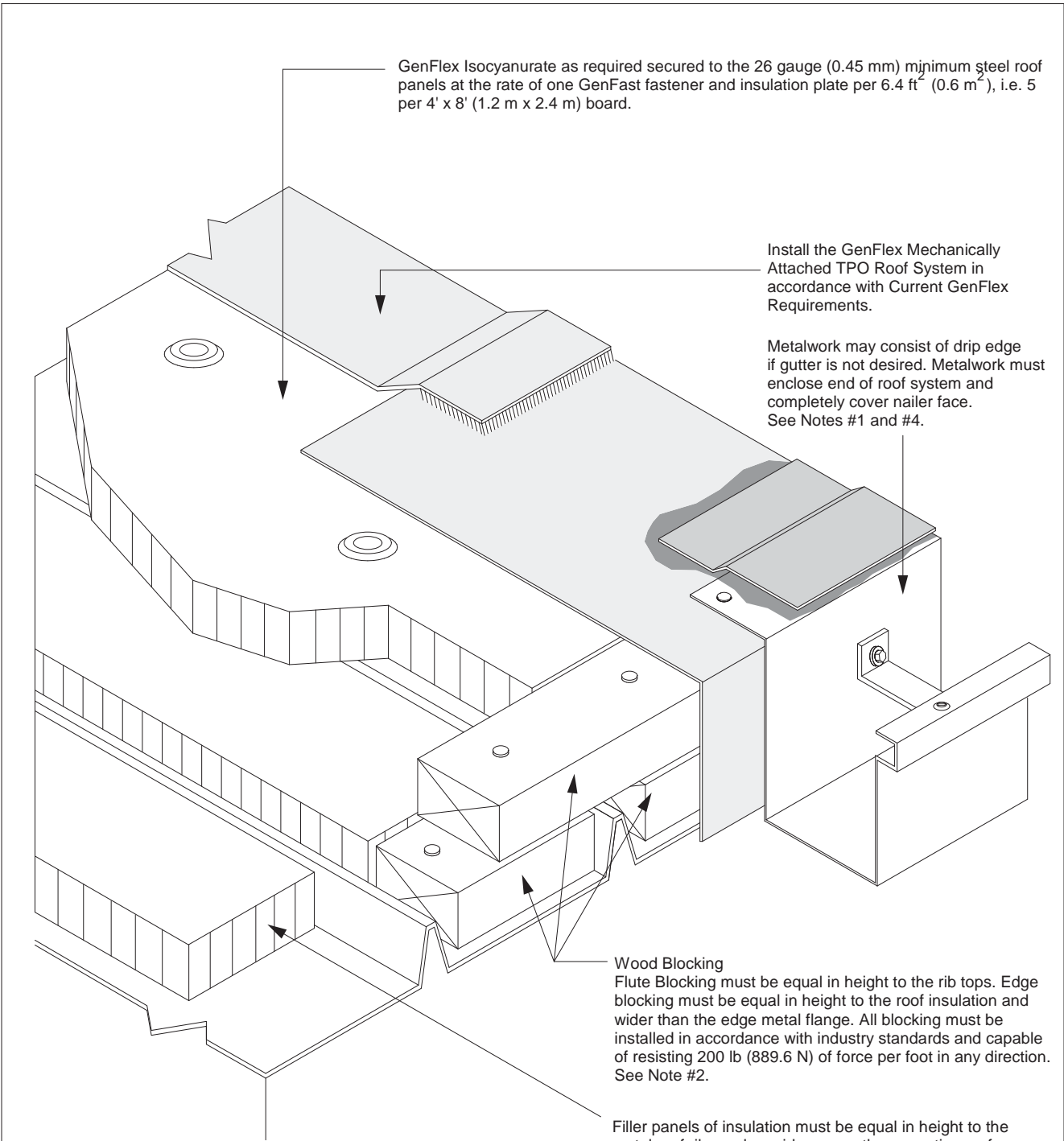


03/10

**Metal Edge Flashing**

**Detail #: TMRM-14.01**

**TPO Metal Recover  
Mechanically Attached System**



GenFlex Isocyanurate as required secured to the 26 gauge (0.45 mm) minimum steel roof panels at the rate of one GenFast fastener and insulation plate per 6.4 ft<sup>2</sup> (0.6 m<sup>2</sup>), i.e. 5 per 4' x 8' (1.2 m x 2.4 m) board.

Install the GenFlex Mechanically Attached TPO Roof System in accordance with Current GenFlex Requirements.

Metalwork may consist of drip edge if gutter is not desired. Metalwork must enclose end of roof system and completely cover nailer face. See Notes #1 and #4.

**Wood Blocking**  
Flute Blocking must be equal in height to the rib tops. Edge blocking must be equal in height to the roof insulation and wider than the edge metal flange. All blocking must be installed in accordance with industry standards and capable of resisting 200 lb (889.6 N) of force per foot in any direction. See Note #2.

Filler panels of insulation must be equal in height to the metal roof ribs and provide a smooth, supporting surface for the overlay insulation board.

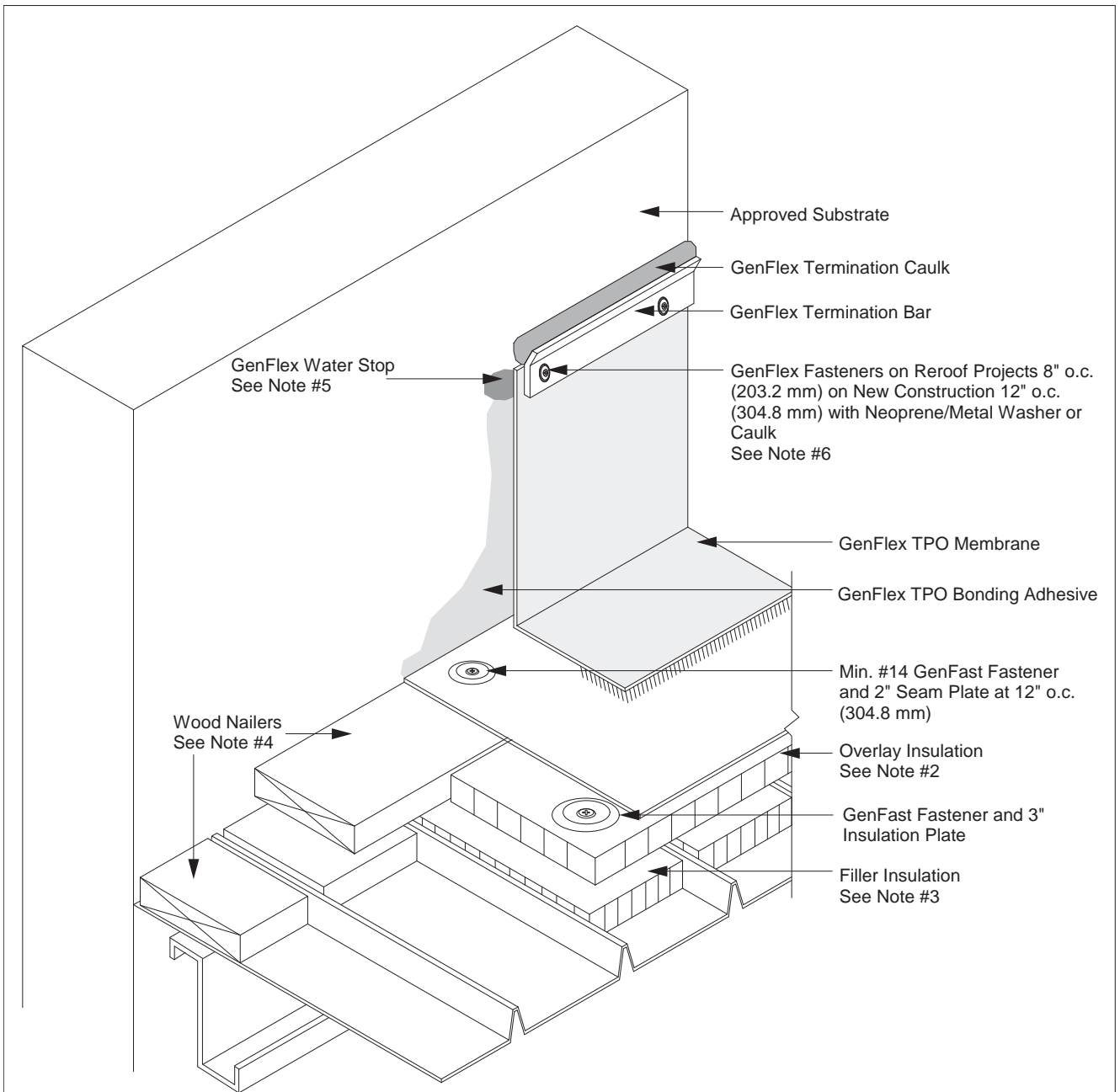
1. Metalwork must be fabricated and installed in accordance with SMACNA and NRCA recommendations and include continuous metal cleats where applicable. Metalwork will completely enclose roof assembly ends and extend below the wood nailer face.
2. Wood nailers are to be secured to the structural steel members as required to resist 200 lb (889.6 N) minimum of pullout force per linear foot.
3. Additional metalwork may be required to effectively seal off the roof edge to prevent wind, birds, and pests from entering roof assembly.
4. Metalwork may be fabricated from SMACNA approved material and stripped-in with TPO Cover Tape set in Primer or GenFlex TPO Coated Metal with a fully hot air welded strip-in application of TPO Field Membrane with edges sealed.

\*NOTE: This assembly does not meet Factory Mutual Rating Criteria.


03/10

**TPO Metal Recover  
Mechanically Attached System**

<b>Metal Edge Flashing</b>	<b>Detail #: TMRM-14.01</b>
----------------------------	-----------------------------



1. Secure acceptable vertical substrate material to metal siding, and ensure structural attachment (purlin) along at least two lines of securement.
2. Overlay insulation must comply with minimum requirements called for to span openings in filler insulation and to comply with GenFlex Mechanically Attached System requirements. Secure at the rate of one GenFast Fastener and Insulation Plate per 6.4 ft<sup>2</sup> (0.6 m<sup>2</sup>), i.e. 5 per 4' x 8' (1.2 m x 2.4 m) insulation board.
3. Filler insulation should be sized to fit snugly between ribs and of equal thickness to rib height.
4. Wood nailers must be secured to purlins as required to achieve 200 lb (889.6 N) of pullout resistance per linear foot.
5. Compression fit details that incorporate Water Stop must have all existing flashing removed to the bare substrate, e.g. masonry block.
6. Any approved pre-drilled fastener for curb and parapet terminations must have a minimum 125 lb (556.0 N) pullout. See approved fastener list.

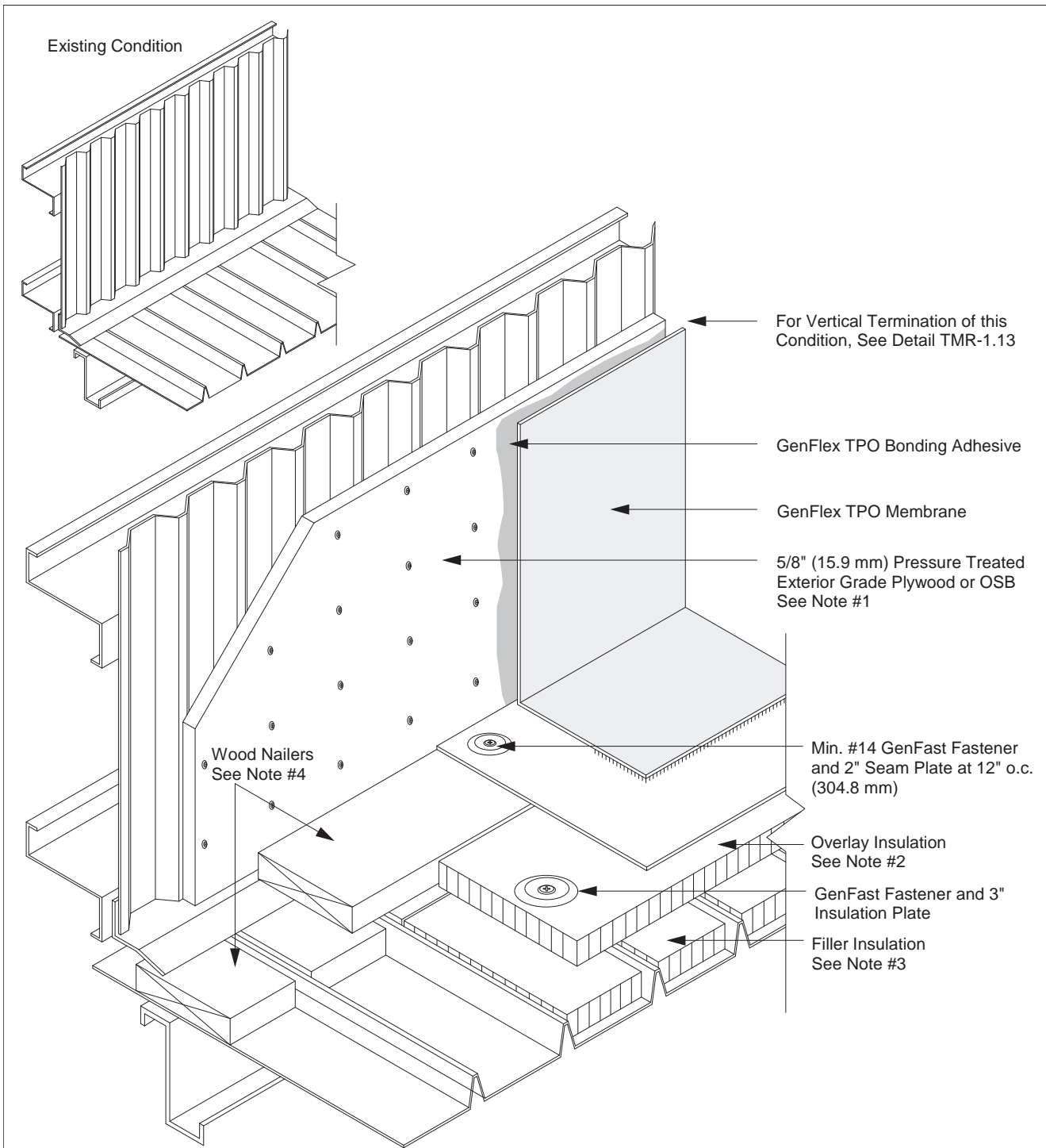


03/10

**Metal Roof  
Base Flashing**

**Detail #:  
TMRM-2.08A**

**TPO Metal Recover  
Mechanically Attached System**

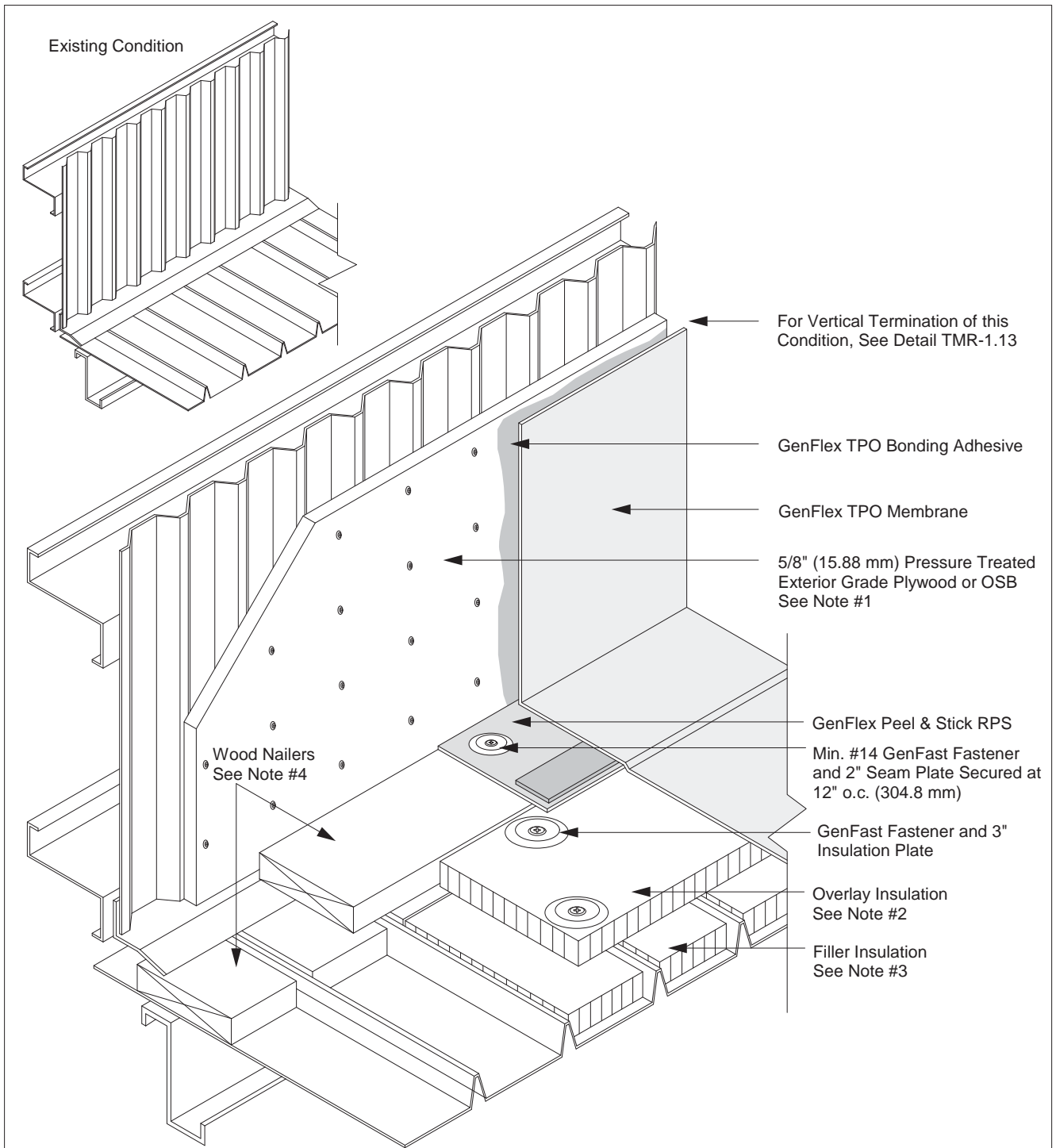


1. Secure acceptable vertical substrate material to metal siding, and ensure structural attachment (purlin) along at least two lines of securement.
2. Overlay insulation must comply with minimum requirements called for to span openings in filler insulation and to comply with GenFlex Mechanically Attached System requirements. Secure at the rate of one GenFast Fastener and Insulation Plate per 6.4 ft<sup>2</sup> (0.6 m<sup>2</sup>), i.e. 5 per 4' x 8' (1.2 m x 2.4 m) insulation board.
3. Filler insulation should be sized to fit snugly between ribs and of equal thickness to rib height.
4. Wood Nailers must be secured to purlins as required to achieve 200 lb (889.6 N) of pullout resistance per linear foot.



03/10

<b>Metal Roof to Vertical Siding Base Flashing</b>	<b>Detail #: TMRM-2.08B</b>	<b>TPO Metal Recover Mechanically Attached System</b>
--	---------------------------------	---



1. Secure acceptable vertical substrate material to metal siding, and ensure structural attachment (purlin) along at least two lines of securement.
2. Overlay insulation must comply with minimum requirements called for to span openings in filler insulation and to comply with GenFlex Mechanically Attached System requirements. Secure at the rate of one GenFast Fastener and Insulation Plate per 6.4 ft<sup>2</sup> (0.6 m<sup>2</sup>), i.e. 5 per 4' x 8' (1.2 m x 2.4 m) insulation board.
3. Filler insulation should be sized to fit snugly between ribs and of equal thickness to rib height.
4. Wood Nailers must be secured to purlins as required to achieve 200 lb (889.6 N) of pullout resistance per linear foot.



03/10

<b>Metal Roof to Vertical Siding One-Piece Base Flashing</b>	<b>Detail #: TMRM-2.08C</b>	<b>TPO Metal Recover Mechanically Attached System</b>
--	---------------------------------	---

Existing Condition

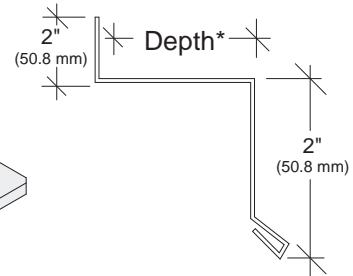
Vertical Termination

Cut a 1" (25.4 mm) strip out of the metal siding, starting at the upper edge of the purlin. Sand, prime, and paint the raw metal edge to prevent rust. Contact metal siding manufacturer for proper primer and paint types.

Secure the top edge of the GenFlex TPO with roofing nails into the plywood substrate, spaced at 8" o.c. (203.2 mm).

Fabricate a counter-flashing enclosure from 24 gauge (0.6 mm) pre-finished steel in an owner-approved color as shown below.

\*Depth of counter-flashing is as required to span from behind vertical siding, over plywood vertical substrate and membrane flashing with 1/4" (6.4 mm) of clearance from membrane.



Wood nailer(s) as required to provide an anchor point for the loose siding cut in step 1 above and to secure the counter-flashing into. Fasten to purlin as required to achieve 200 lb (889.6 N) of pullout resistance per linear foot but with fasteners not more than 24" (609.6 mm) apart.

Original Metal Siding

New Counter-Flashing Enclosure Fastened with Neoprened Washered Tek Screws 12" o.c. (304.8 mm) through membrane into vertical substrate and at every recessed rib through siding and counter-flashing into wood nailers.

Contact metal siding manufacturer for proper spacing of fasteners at base termination.

GenFlex TPO Membrane



03/10

**Metal Roof to Metal Siding - Vertical Termination and Counter-Flashing**

**Detail #: TMR-1.13**

**TPO Metal Roof Recover Systems**