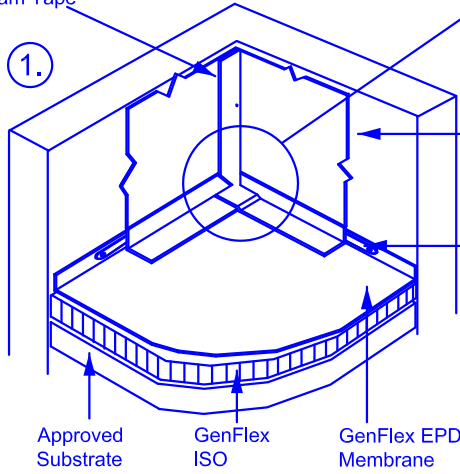


GenFlex Primer & Seam Tape

1.

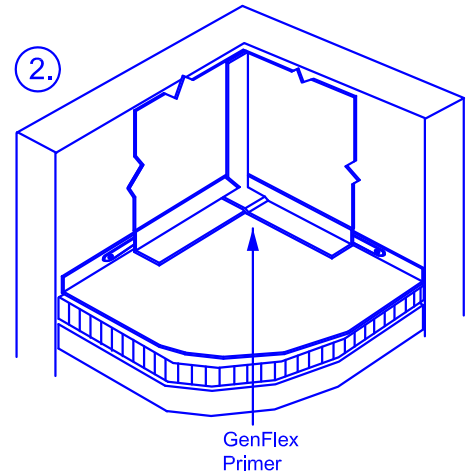


Clean Area with GenFlex EPDM Cleaner, and Then Apply GenFlex Primer.

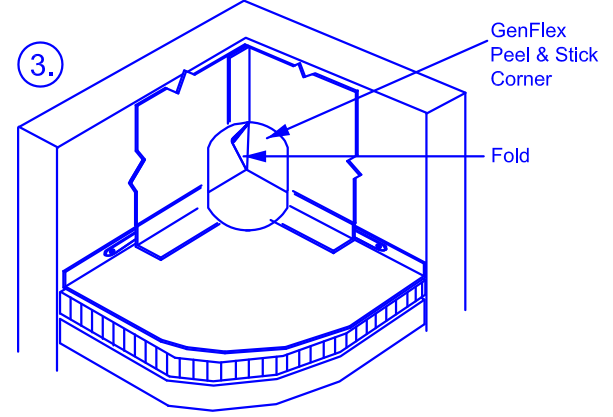
GenFlex EPDM Bonding Adhesive See Note #1

GenFlex Bar Anchor with Approved Fasteners 6" o.c. (152 mm) See Note #2

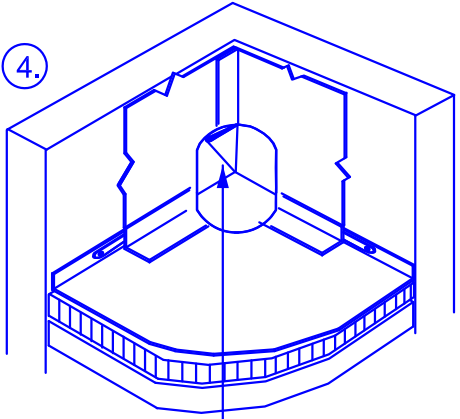
2.



3.

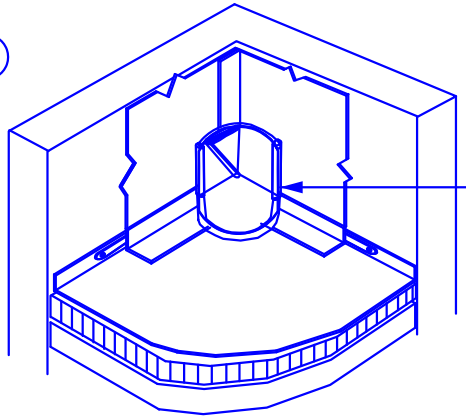


4.



GenFlex G-400 Seam Adhesive See Note #3

5.



Continuous Bead High Profile Edge Caulk See Note #3

All parapet walls and roof curbs must be suitable for flashing, e.g. clean, tight, smooth, no cracks, etc. Polymer batten strips cannot be used for attachments into brick, block, or concrete wall substrates. Use only on smooth surfaces, e.g. wood or insulation. For seams assembled with GenFlex G-400 Seam Adhesive, a bead of GenFlex Edge Caulk is required on all exposed edges, following a pre-cleaning of the seam area with GenFlex Cleaner.



**Peel & Stick Inside Corner**

EPDM Systems

ACCEPTABLE SYSTEMS:  
All Systems

MAXIMUM WARRANTY: **20 Years**

ISSUE / REVISION  
DATE:  
6-24-2015

NOT TO SCALE

DETAIL NO.

**E-4.03**