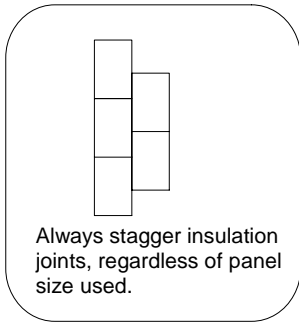
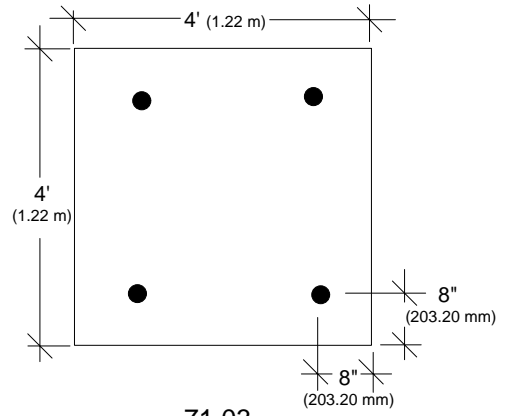


71.05 (203.20 mm)



Always stagger insulation joints, regardless of panel size used.



71.03

For use on buildings up to 50' (15.24 m) high. If building height exceeds 50' (15.24 m), contact the GenFlex Technical Department for attachment pattern.



FRM Insulation Securement	Detail #: 71.05 & 71.03	FRM In-Seam Attachment Systems
---------------------------	-------------------------	--------------------------------