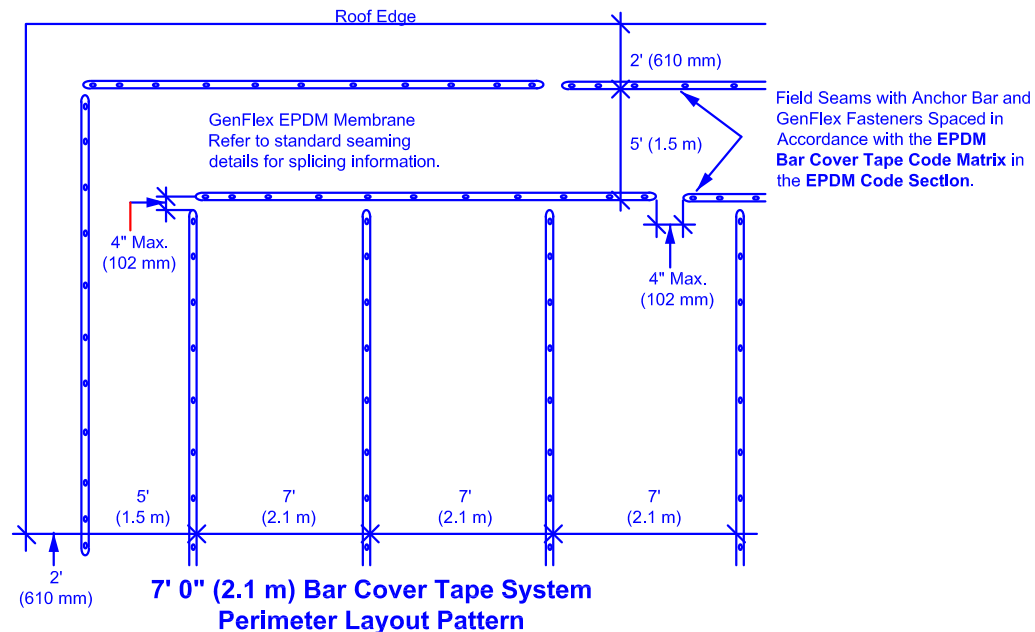


27.02



22.05

MAXIMUM WARRANTY: **20 Years**

ISSUE / REVISION  
DATE:  
6-25-2015

DETAIL NO.  
22.05 & 27.02

NOT TO SCALE



**Bar Cover Tape System Perimeter Layout Patterns**

EPDM Systems

ACCEPTABLE SYSTEMS:  
EPDM Bar Cover Tape Systems