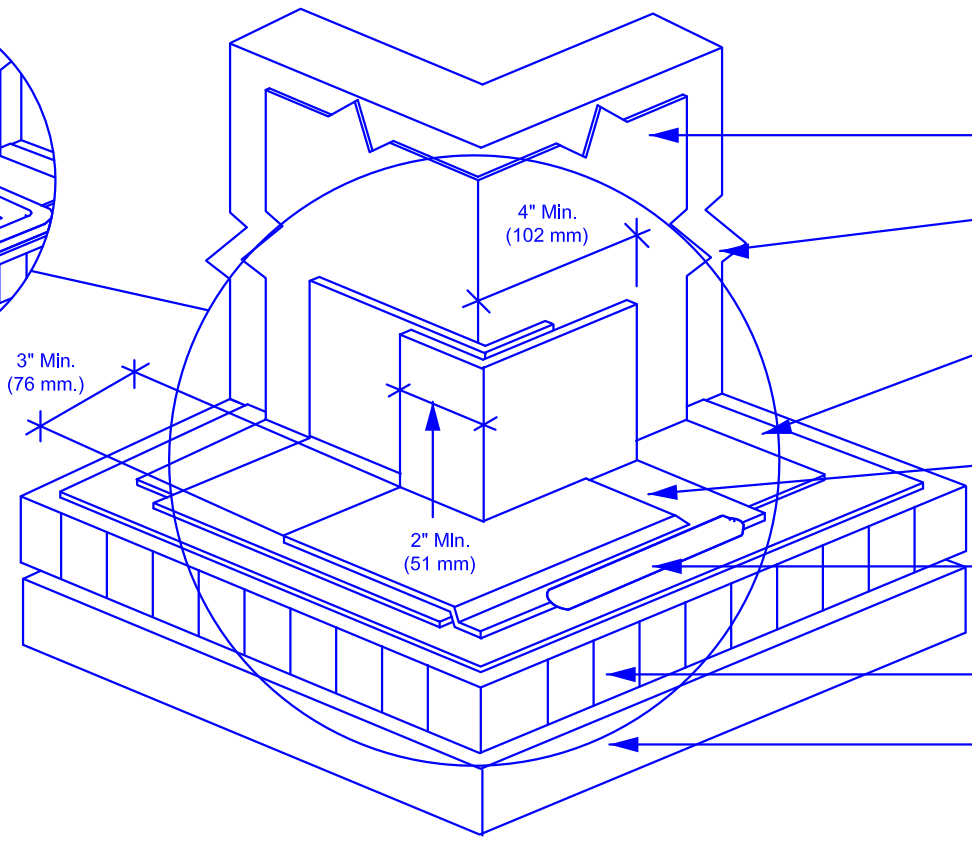


Continuous Bead
High Profile
Edge Caulk
See Note #2



GenFlex EPDM Membrane
GenFlex EPDM Bonding Adhesive See Note #1
GenFlex G-400 Seam Adhesive See Note #2
GenFlex Uncured EPDM Flashing
Continuous Bead High Profile Edge Caulk See Note #2
GenFlex ISO
Approved Substrate

1. All parapet walls and roof curbs must be suitable for flashing, e.g. clean, tight, smooth, no cracks, etc.
2. For seams assembled with GenFlex G-400 Seam Adhesive, a bead of GenFlex Edge Caulk is required on all exposed edges, following a pre-cleaning of the seam area with GenFlex Cleaner.
3. NOTE: This Detail is not appropriate for use on projects requiring system warranties greater than ten (10) years in duration.

MAXIMUM WARRANTY: **10 Years**



Field Fabricated Outside Corner

EPDM Systems

ACCEPTABLE SYSTEMS:
All Systems

ISSUE / REVISION DATE:
6-24-2015
NOT TO SCALE

DETAIL NO.
E-5.02