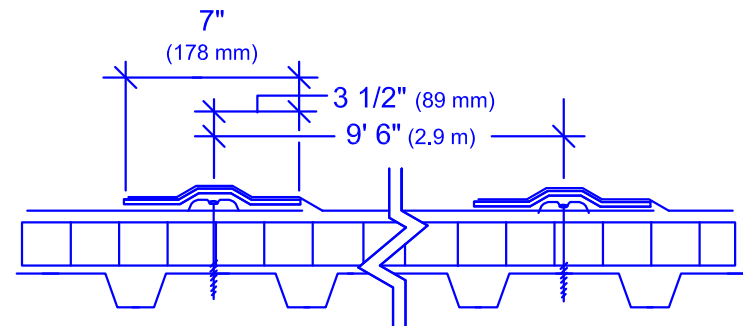


7' 0" (2.13 m) System Layout Pattern

(For use with 7.5' (2.3 m) membrane panels.)

71.01



9' 6" (2.90 m) System Layout Pattern

(For use with 10' (3.05 m) membrane panels.)

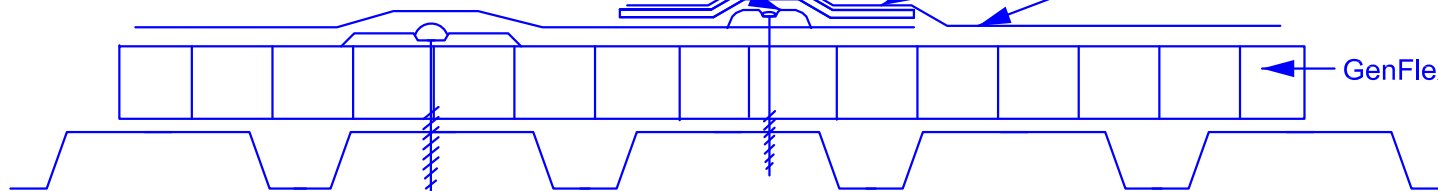
71.00

Field Seams with Anchor Bar and GenFlex Fasteners Spaced in Accordance with the **EPDM FRM MAS Code Matrix** in the **EPDM Code Section**.

GenFlex 7" (178 mm) Seam Tape Mated to Primed Membrane

GenFlex FRM EPDM Membrane

GenFlex Insulation



Position insulation and membrane sheets to enable securement into the top flutes on steel decks, ensure positive attachment, and reduce fastener movement. Insulation should be installed with board ends resting on the flute tops.



FRM System Insulation Cross Section

EPDM Systems

ACCEPTABLE SYSTEMS:
FRM System

MAXIMUM WARRANTY: **20 Years**

ISSUE / REVISION
DATE:
6-25-2015

NOT TO SCALE

DETAIL NO.

71.00 - .01