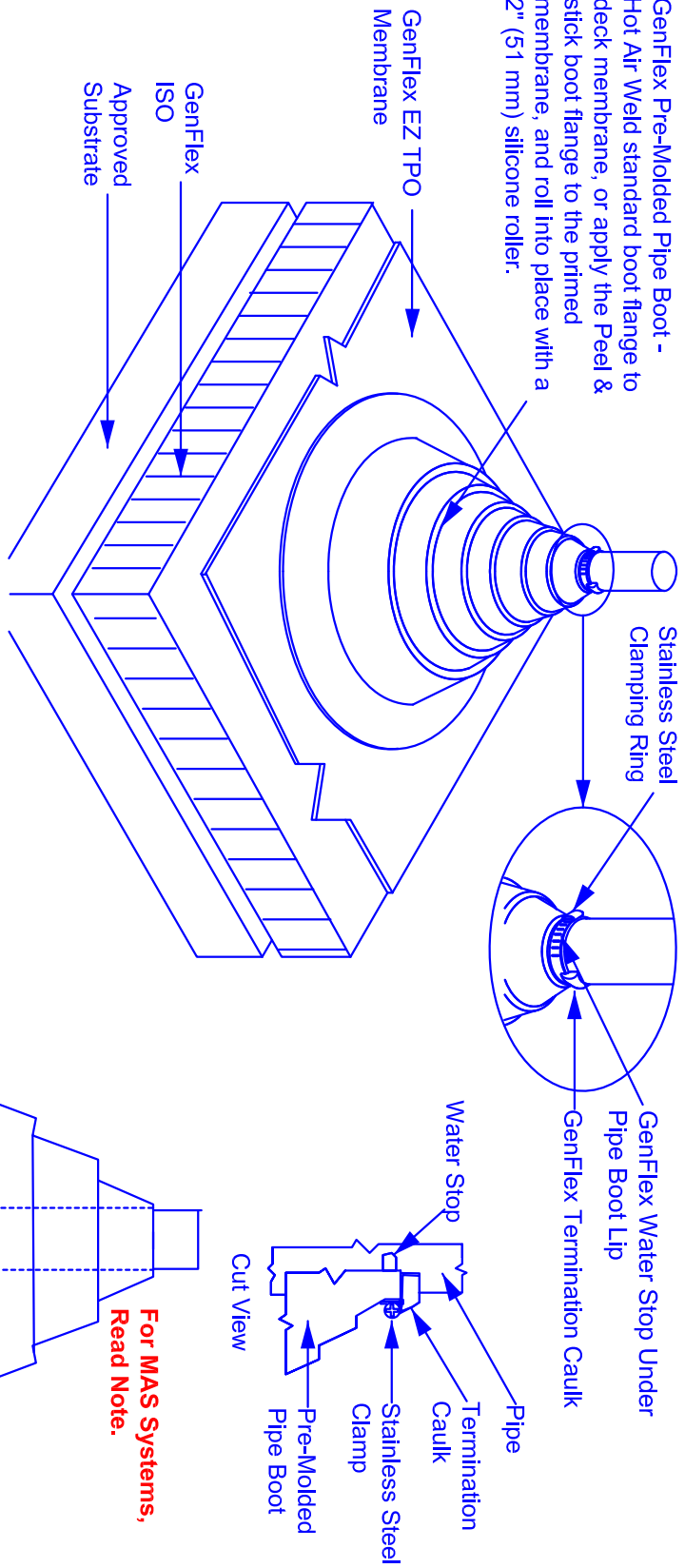


GenFlex Pre-Molded Pipe Boot -
 Hot Air Weld standard boot flange to
 deck membrane, or apply the Peel &
 stick boot flange to the primed
 membrane, and roll into place with a
 2" (51 mm) silicone roller.



Membrane securement at 12" (305 mm) out from penetration and 12" o.c. (305 mm) required for Mechanically Attached Roof Systems. This can be accomplished with seam plates and fasteners overlaid with either TPO Cover Tape, a target patch of TPO field membrane for the boot flange to be welded to, or with 6" (152 mm) TPO Reinforced Flashing. When installation of the pipe boot would overlap a field seam, install a minimum 24" x 24" (610 mm x 610 mm) target patch centered on the penetration before installing the pipe boot. Membrane securement may also be installed close to the penetration and flashed with the pipe boot as shown here.

**For MAS Systems,
 Read Note.**



Pre-Fabricated Pipe Boot

EZ TPO Systems

ACCEPTABLE SYSTEMS:
 All

MAXIMUM WARRANTY: 20 Years

ISSUE / REVISION
 DATE:
 10-27-2015

DETAIL NO.
EZ-7.01

NOT TO SCALE