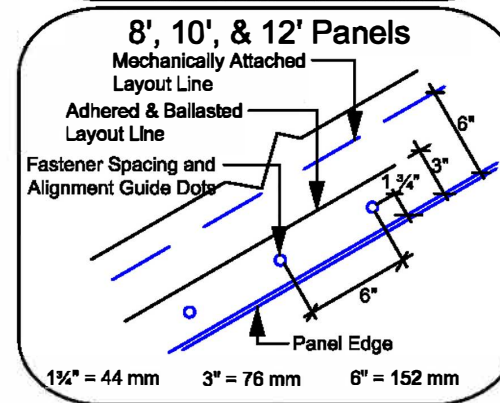
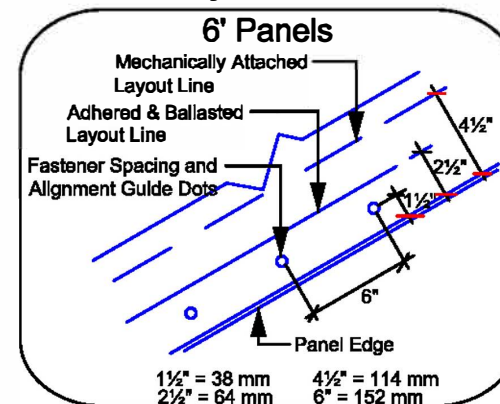


*Position adjacent membrane panels on the factory-applied dashed reference line, and install membrane securement as required, centered over fastener and spacing dotted reference line.

Layout Lines



Single Weld Seam

EZ TPO Systems

ACCEPTABLE SYSTEMS:
Mechanically Attached Systems

MAXIMUM WARRANTY: **20 Years**

ISSUE / REVISION
DATE:
3-3-2020

NOT TO SCALE

DETAIL NO.

EZ-6.02