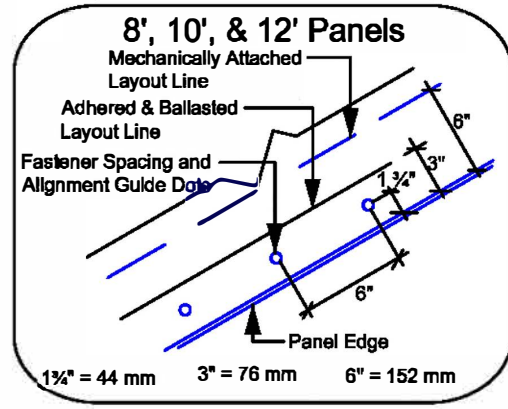
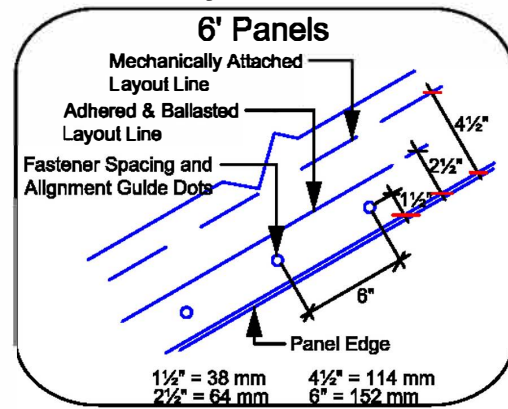


Layout Lines



*Position adjacent membrane panels on the factory-applied dashed reference line, and install membrane securement as required, centered over fastener and spacing dotted reference line.



Single Weld Seam

EZ TPO Systems

ACCEPTABLE SYSTEMS:
Mechanically Attached Systems

MAXIMUM WARRANTY: 20 Years

ISSUE / REVISION
DATE:
3-3-2020

DETAIL NO.
EZ-6.02

NOT TO SCALE