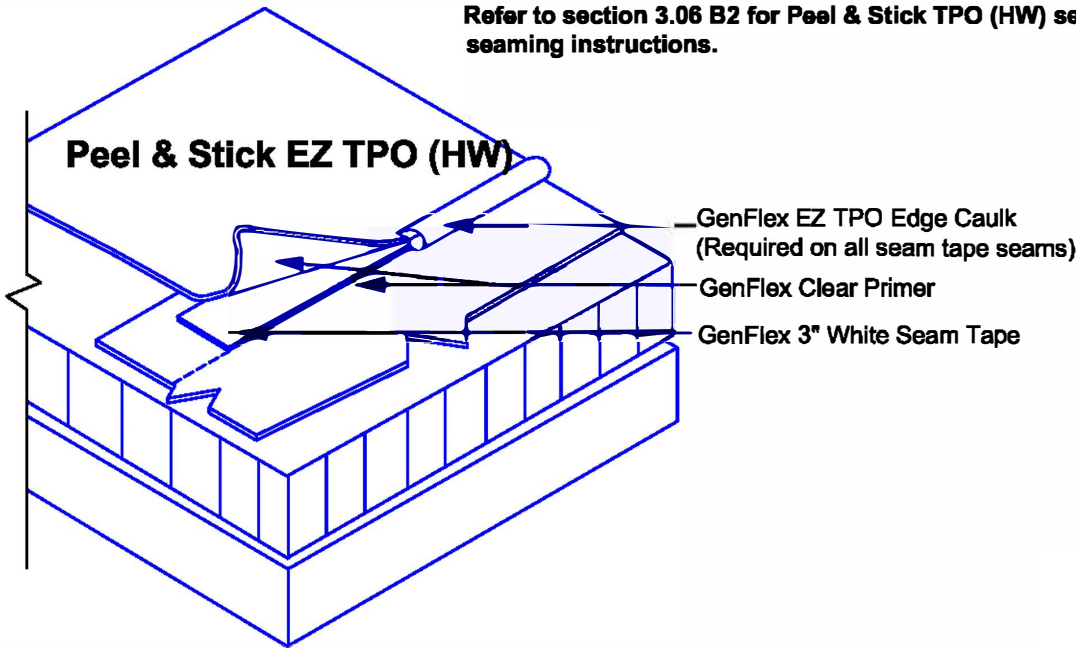


Peel & Stick EZ TPO (HW) & 3" White Seam Tape

Refer to section 3.06 B2 for Peel & Stick TPO (HW) seam tape seaming instructions.



A

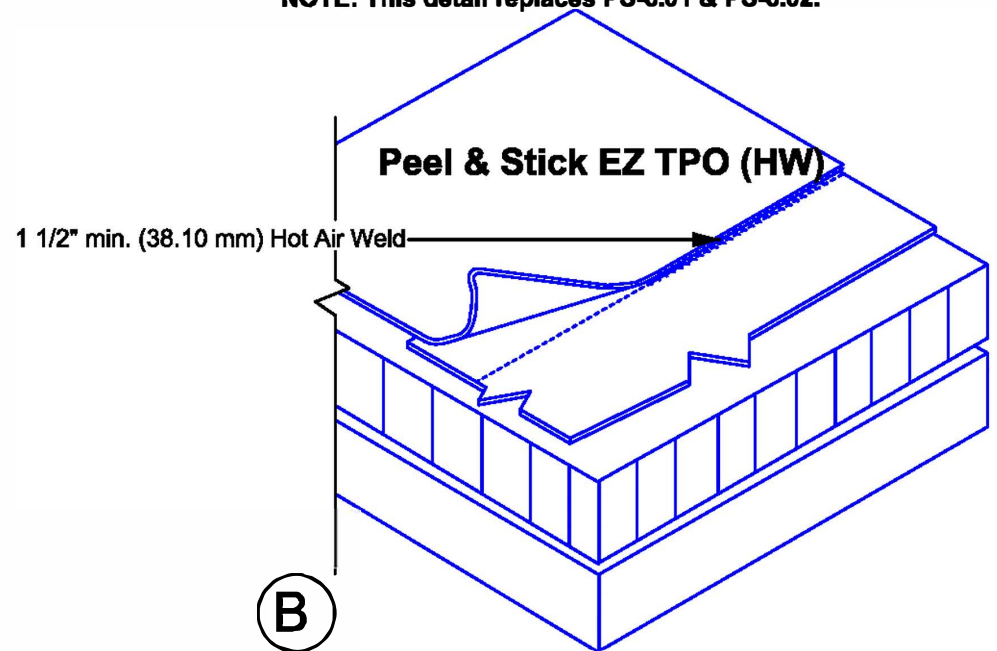
10 Year Warranty

Position the upper membrane panel as required to achieve a 3" lap over the adjacent panel and mark the position of the upper membrane panel edge plus 1/4" (3 mm) with a crayon on the lower panel, prime the seaming areas of **both** panels and allow the primer to flash off, then position and apply the 3" White Seam Tape along the marks as required to achieve 1/8" to 1/4" (3-6 mm) of exposure once the seam is assembled. Peel and Stick T-Joint Patches set in GenFlex Clear Primer are required at all membrane seam overlaps on the GenFlex EZ TPO Taped Seam.

Peel & Stick EZ TPO (HW) & Hot Air Welded Seams

Refer to section 3.06 B1 for Peel & Stick TPO (HW) hot air weld seaming instructions.

NOTE: This detail replaces PS-6.01 & PS-6.02.



B

20 Year Warranty



Seaming Methods for Peel & Stick™ EZ TPO

EZ TPO Systems

ACCEPTABLE SYSTEMS:
Self Adhered

MAXIMUM WARRANTY: **10/20 Years**

ISSUE / REVISION
DATE:
3-3-2020

NOT TO SCALE

DETAIL NO.

EZ-S-6.01