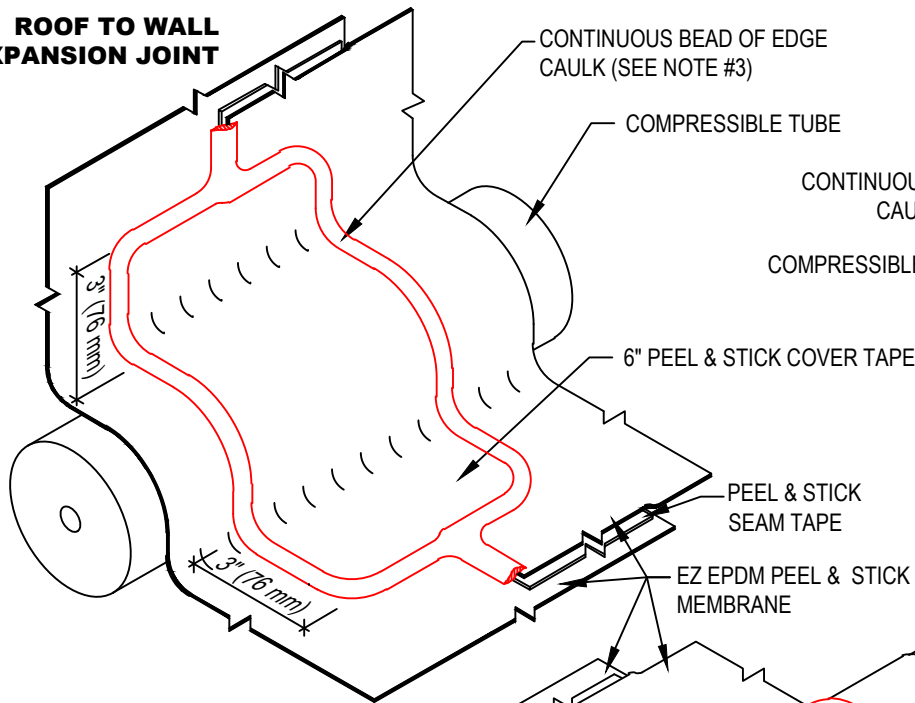
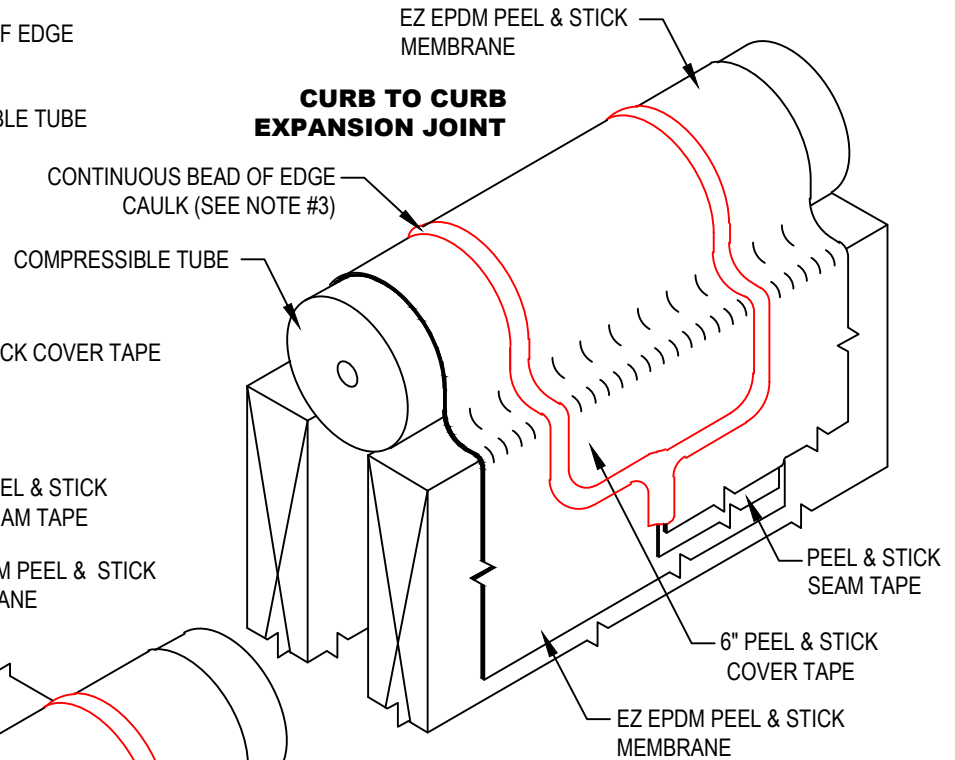


**ROOF TO WALL
EXPANSION JOINT**



**CURB TO CURB
EXPANSION JOINT**

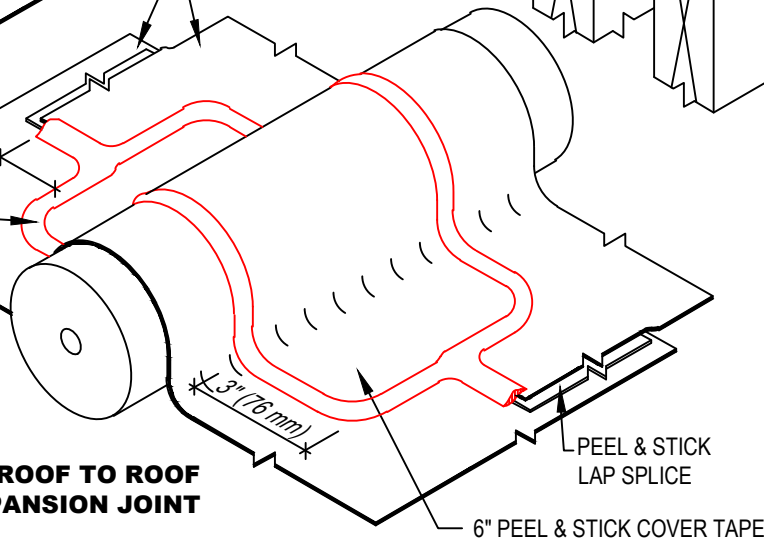


3" (76 mm) MIN. (TYP.)

CONTINUOUS BEAD OF EDGE
CAULK (SEE NOTE #3)

**BASE FLASHING AND
TERMINATIONS NOT
SHOWN FOR CLARITY.
REFER TO APPROPRIATE
TERMINATION & BASE
TIE-IN DETAILS.**

**ROOF TO ROOF
EXPANSION JOINT**



NOTE:

1. REFER TO GENFLEX™ WEBSITE FOR THE MOST CURRENT INFORMATION.
2. USE GENPRIME PRIMER TO CLEAN AND PRIME EPDM MATING SURFACE PRIOR TO INSTALLATION OF PEEL & STICK PRODUCTS.
3. APPLY EDGE CAULK AS SHOWN. REFER TO EZE-PS-LS-04 FOR SEAM EDGE TREATMENT.
4. EXTRA CLEANING IS REQUIRED AT FACTORY SPLICE AREAS AND OTHER AREAS WHERE EXCESS DUSTING AGENT MAY HAVE ACCUMULATED.



LAP SPLICE AT EXPANSION JOINT TUBE

ACCEPTABLE SYSTEMS: EZ EPDM PEEL & STICK™ SELF ADHERED

(800) 443-4272 www.genflex.com

MAXIMUM WARRANTY: 20 Years

ISSUE / REVISION
DATE:

07/28/2023

NOT TO SCALE

DETAIL NO.

EZE-PS-LS-06