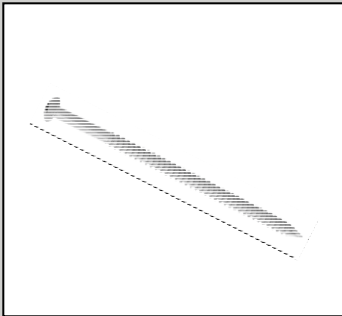


# Product Data Sheet



## GenFast™ #14 Fastener

Item Description	Item Number
1¼" (31.8 mm)	W590051412
1½" (44.5 mm)	W590051413
2" (51 mm)	W590051401
3" (76.2 mm)	W590051402
4" (102 mm)	W590051403
5" (127 mm)	W590051415
6" (152 mm)	W590051416
7" (178 mm)	W590051406
8" (203 mm)	W590051407
10" (254 mm)	W590051408
12" (305 mm)	W590051419
14" (356 mm)	W590051420
16" (406 mm)	W590051411

### Description

GenFast #14 Fasteners are heat treated steel fasteners coated with a proprietary black coating that increases the product's corrosion resistance. This multipurpose roofing fastener can be used in a variety of GenFlex roofing systems for the attachment of GenFlex insulation or membrane provided the fastener is used in combination with the appropriate GenFlex insulation or seam plate.

Installation of the GenFast #14 Fastener into steel, wood, and structural concrete substrates is acceptable. The GenFast #14 Fastener is Factory Mutual (FM) approved and is manufactured to conform to the physical property requirements of Factory Mutual Specification #4470.

GenFast #14 Fasteners are available in various lengths from 1¼" to 16" (31.8 mm to 406 mm) and are packaged in sturdy plastic buckets for lengths up to 12" (305 mm) and in cardboard boxes for 14" (356 mm) and 16" (406 mm) lengths. Please contact GenFlex customer service for longer lengths if needed.

### Method of Application

- GenFlex #14 Fasteners can be installed using a #3 Phillips drive bit provided with every bucket and a variable speed drill.
  - Steel Decks: Minimum of ¾" (19 mm) required penetration
  - Wood Decks: Minimum of 1" (25 mm) into wood plank required penetration  
Minimum of 1" (25 mm) through plywood required penetration
  - Concrete Decks: Minimum of 1" (25 mm) required penetration. Recommended pre-drill concrete with a 3/16" (4.8 mm) masonry bit. GenFlex recommends pull tests be completed for proper drill bit size and performance. The pilot hole should be a minimum of ½" (13 mm) deeper than the required embedment.
- Each fastener must be installed in combination with the appropriate plate taking care not to over or under drive the fastener.
- Threads from the fastener must engage and penetrate the decking material per GenFlex current Technical Specifications.

### Storage

- Fasteners should be protected from moisture and kept dry at all times.
- If stored out-doors, place on skids in a dry area and cover with a breathable tarp.

## Precautions

- Eye protection is recommended when installing fasteners and plates.
- Some loss of fastener coating may be experienced during the installation process.
- Consideration should be given to using a GenFast #14 fastener when installing fasteners through existing roof systems or when used in conjunction with the usual substrates or decks and additional pullout resistance is needed.
- Refer to Safety Data Sheets (SDS) for additional safety information.

## LEED® Information

Post-Consumer Recycled Content: 25%

Post Industrial Recycled Content: 0%

NOTE: LEED® is a registered trademark of the U.S. Green Building Council



Typical Properties	
Property	Typical Value
Material	SAE 1022 Heat Treated Steel
Color	Black
Diameter	Nominal .245" (6.2 mm)
Thread	AB Symmetrical
Head Style	#3 Phillips Drive
Corrosion Coating	Black CR-10 applied by electro coating
Fastener Tip	Spade Point

Packaging		
Screw Length	Thread Length	Pieces/Bucket
1¼" (31.8 mm)	Full	1000
1¾" (44.5 mm)	Full	1000
2" (51 mm)	Full	1000
3" (76.2 mm)	Full	1000
4" (102 mm)	3" (76.2 mm)	1000
5" (127 mm)	4" (102 mm)	500
6" (152 mm)	4" (102 mm)	500
7" (178 mm)	4" (102 mm)	500
8" (203 mm)	4" (102 mm)	500
10" (254 mm)	5" (127 mm)	500
12" (305 mm)	5" (127mm)	250
14" (356 mm)	5" (127 mm)	250 (box)
16" (406 mm)	5" (127 mm)	250 (box)

Please contact Amrize Technical Services at 800-428-4511 for further information.

This sheet is meant to highlight GenFlex products and specifications and is subject to change without notice. Amrize takes responsibility for furnishing quality materials that meet published GenFlex product specifications or other technical documents, subject to normal manufacturing tolerances. Neither Amrize nor its representatives practice architecture. Amrize offers no opinion on and expressly refuses any responsibility for the soundness of any structure. Amrize accepts no liability for structural failure or resultant damages. Consult a competent structural engineer prior to installation if the structural soundness or structural ability to properly support a planned installation is in question. No Amrize representative is authorized to vary this disclaimer.