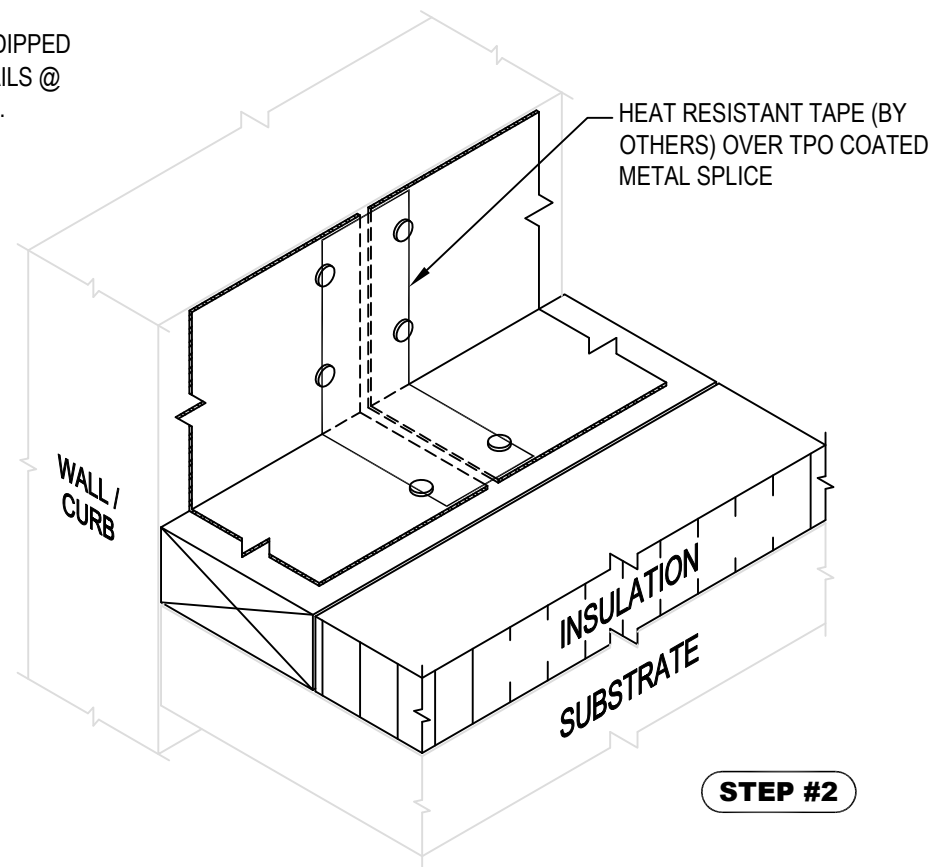
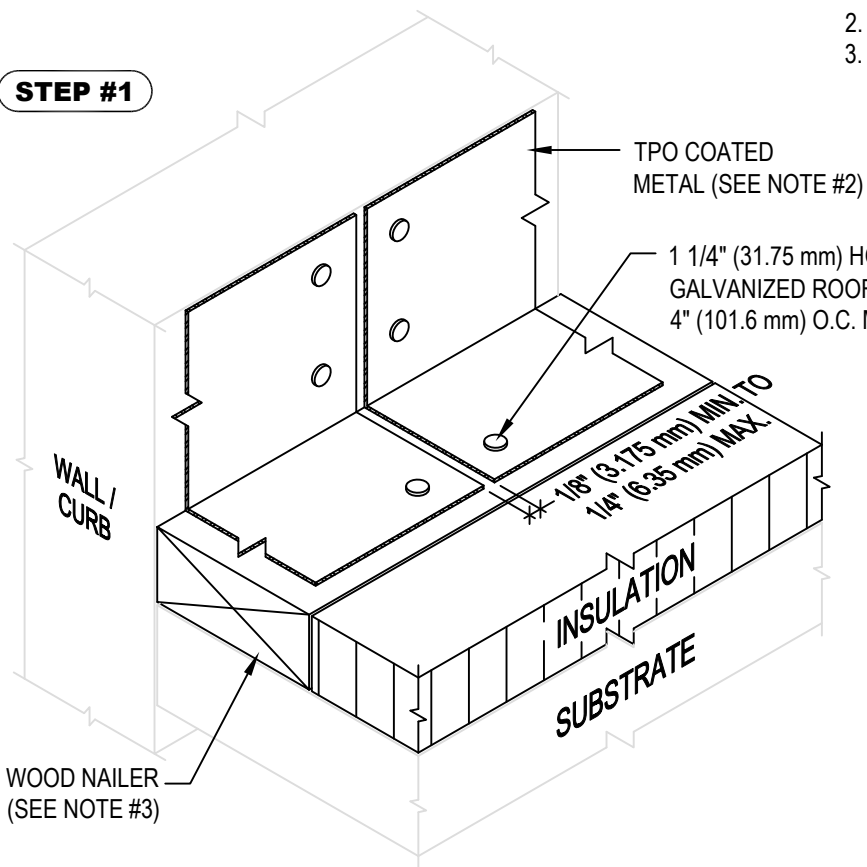


NOTE:

1. REFER TO THE GENFLEX™ WEBSITE FOR MOST CURRENT INFORMATION.
2. INSTALL METAL WORK TO SMACNA RECOMMENDATIONS.
3. WOOD NAILER MUST BE INSTALLED TO MEET APPLICABLE BUILDING CODES.

**STEP #1**



**STEP #2**

**WARRANTY MEMBRANE REQUIREMENTS:**  
**15-YEAR**  
 TPO - 45 MIL  
**20-YEAR**  
 TPO - 60 MIL



**TPO COATED METAL SPLICE  
 INSTALLATION STEPS 1 & 2**

MATERIAL: EZ TPO      ACCEPTABLE SYSTEMS: ALL

MAXIMUM WARRANTY: 20 Years

ISSUE / REVISION DATE:  
 12/16/25

DETAIL NO.  
**EZT-BT-11A**