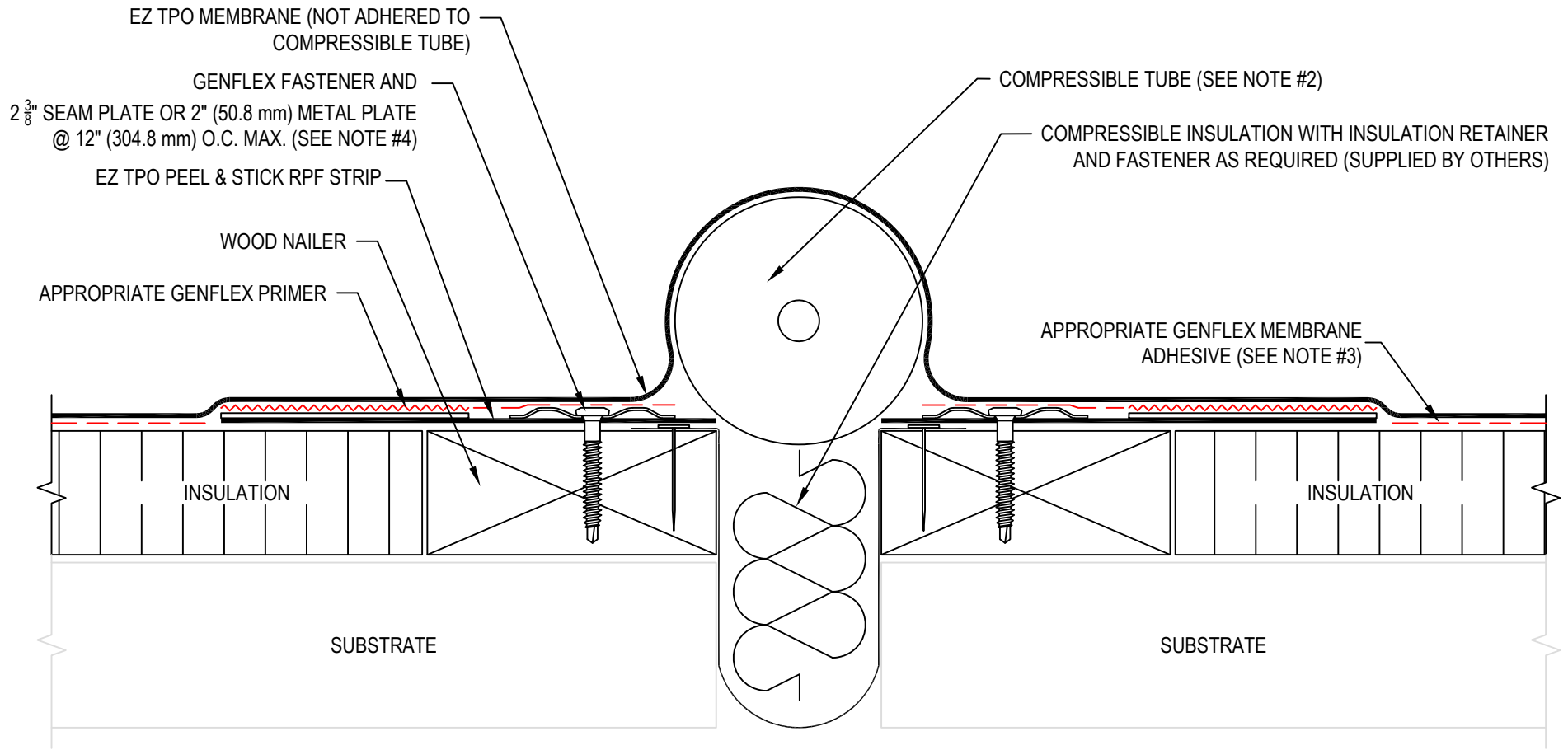


**NOTE:**

1. REFER TO THE GENFLEX™ WEBSITE FOR MOST CURRENT INFORMATION.
2. COMPRESSIBLE TUBE (SUPPLIED BY OTHERS) DIAMETER MUST EXCEED THE DECK OPENING BY 50% MIN. OR DESIGNATED MOVEMENT (WHICH EVER IS GREATER).
3. APPROPRIATE MEMBRANE ADHESIVE REQUIRED BETWEEN MEMBRANE AND INSULATION FOR ADHERED SYSTEMS.
4. MAXIMUM 10" (254 mm) LONG FASTENERS. (NOTE: WOOD BLOCKING MAY BE SUBSTITUTED FOR INSULATION TO REDUCE FASTENER LENGTH REQUIREMENTS).
5. REFER TO EZT-LS-15 FOR ADDITIONAL LAP SPLICE REQUIREMENTS.
6. WOOD NAILERS TO BE INSTALLED TO MEET ALL APPLICABLE BUILDING CODES

**WARRANTY MEMBRANE REQUIREMENTS:**  
**15-YEAR**  
 TPO - 45 MIL  
**20-YEAR**  
 TPO - 60 MIL



**EXPANSION JOINT (FIELD FABRICATED) WITH EZ TPO PEEL & STICK RPS AND WOOD NAILER - ROOF TO ROOF**

MATERIAL: EZ TPO

ACCEPTABLE SYSTEMS: ALL

MAXIMUM WARRANTY: 20 Years

ISSUE / REVISION DATE:

04/20/2026

DETAIL NO.

**EZT-E-03**

NOT TO SCALE

GENFLEX: (800) 443-4272 www.genflex.com