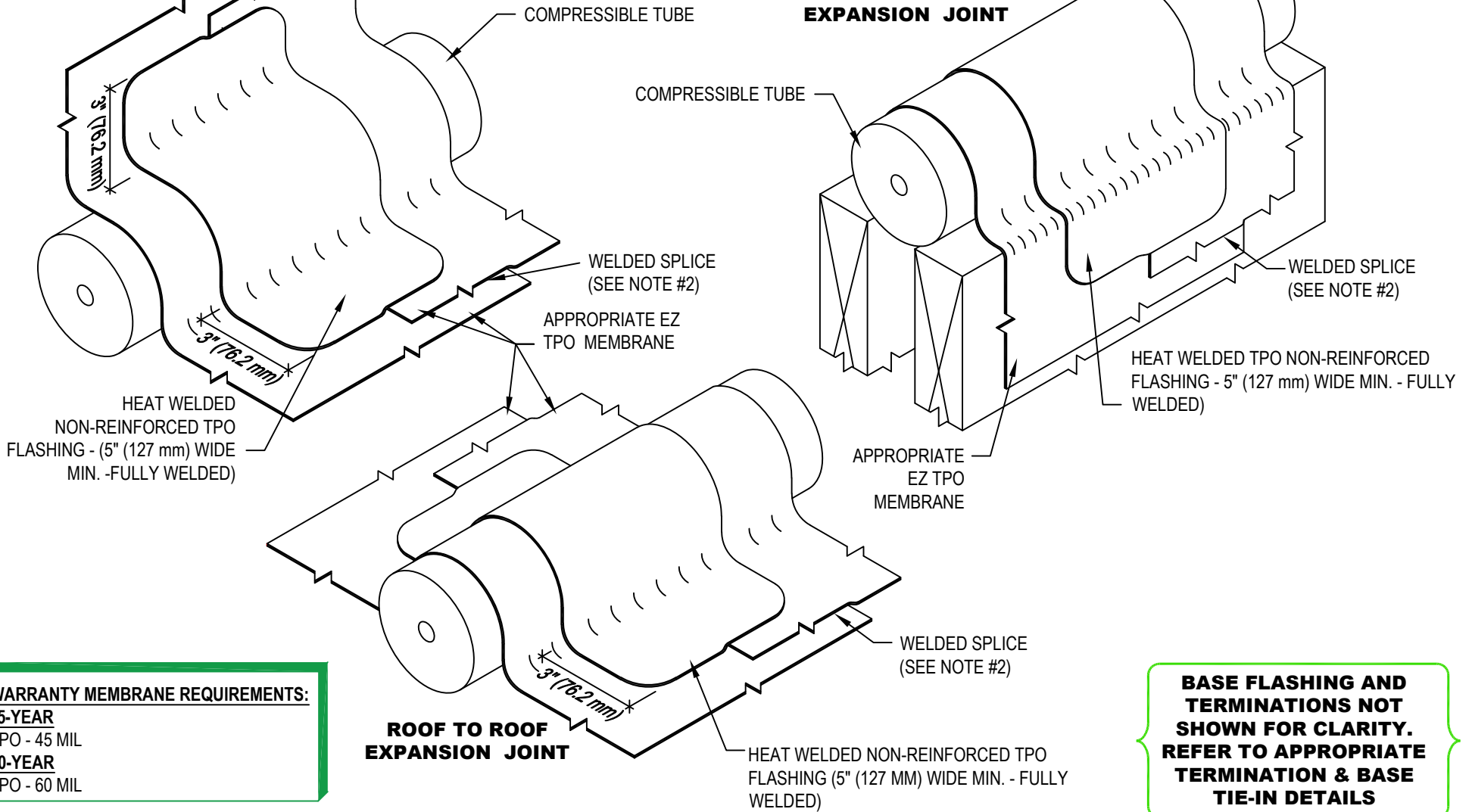


**ROOF TO WALL  
EXPANSION JOINT**

**NOTE:**

1. REFER TO THE GENFLEX™ WEBSITE FOR MOST CURRENT INFORMATION.
2. REFER TO DETAIL EZT-LS-01 OR EZT-LS-02 FOR WELD WIDTH.

**CURB TO CURB  
EXPANSION JOINT**



**WARRANTY MEMBRANE REQUIREMENTS:**

**15-YEAR**  
TPO - 45 MIL  
**20-YEAR**  
TPO - 60 MIL

**BASE FLASHING AND  
TERMINATIONS NOT  
SHOWN FOR CLARITY.  
REFER TO APPROPRIATE  
TERMINATION & BASE  
TIE-IN DETAILS**



**LAP SPLICE AT EXPANSION JOINT TUBE**

MATERIAL: EZ TPO

ACCEPTABLE SYSTEMS: ALL

MAXIMUM WARRANTY: 20 Years

ISSUE / REVISION  
DATE:

04/20/2026

DETAIL NO.

**EZT-LS-15**

GENFLEX: (800) 443-4272 www.genflex.com

NOT TO SCALE