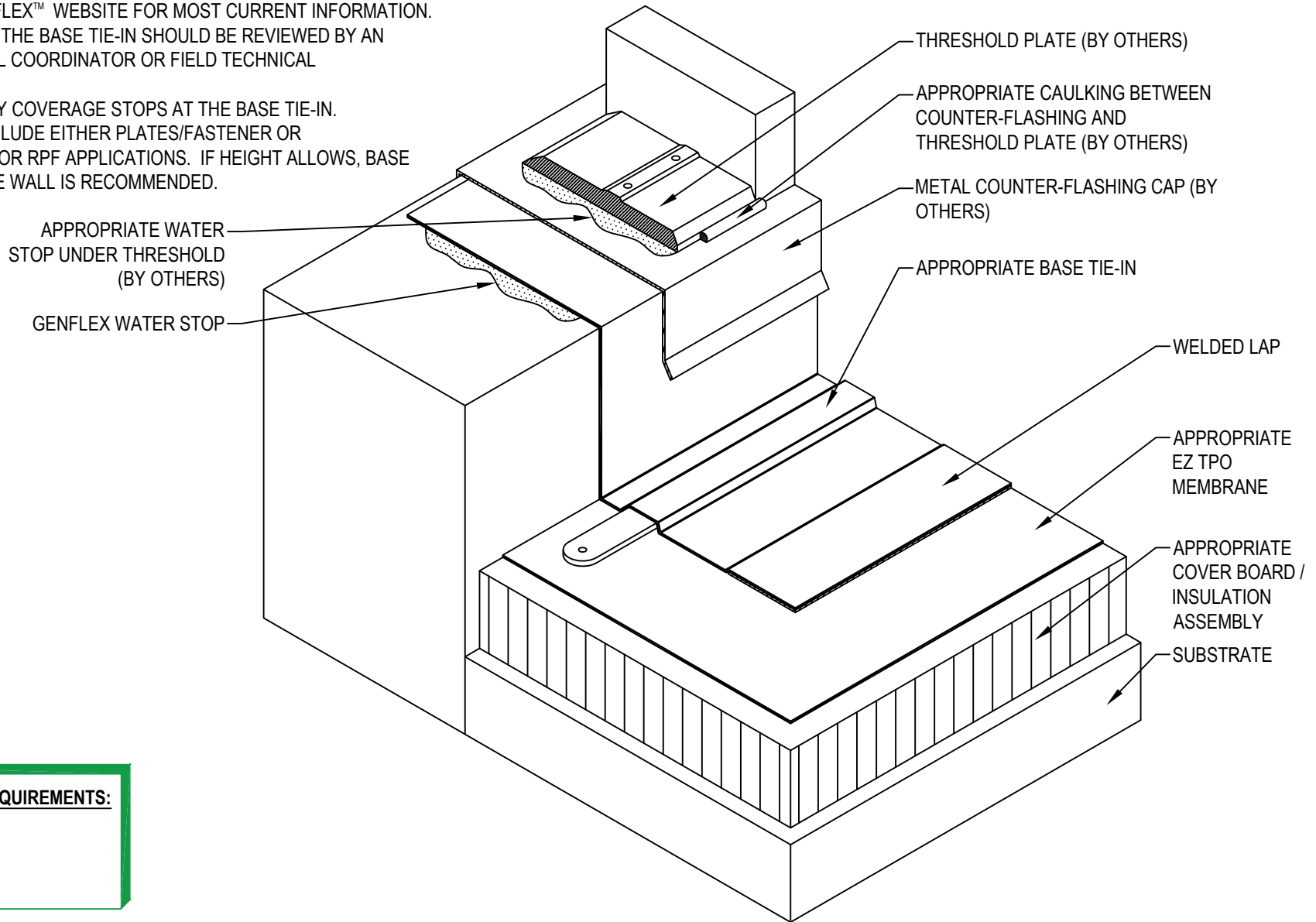


NOTE:

1. REFER TO THE GENFLEX™ WEBSITE FOR MOST CURRENT INFORMATION.
2. CONDITIONS ABOVE THE BASE TIE-IN SHOULD BE REVIEWED BY AN GENFLEX TECHNICAL COORDINATOR OR FIELD TECHNICAL REPRESENTATIVE.
3. GENFLEX WARRANTY COVERAGE STOPS AT THE BASE TIE-IN.
4. BASE TIE-IN MAY INCLUDE EITHER PLATES/FASTENER OR BATTEN/FASTENER, OR RPF APPLICATIONS. IF HEIGHT ALLOWS, BASE TIE-IN THROUGH THE WALL IS RECOMMENDED.



WARRANTY MEMBRANE REQUIREMENTS:

15-YEAR

TPO - 45 MIL

20-YEAR

TPO - 60 MIL



TERMINATION AT THRESHOLD

MATERIAL: EZ TPO

ACCEPTABLE SYSTEMS: ALL

MAXIMUM WARRANTY: 20 Years

ISSUE / REVISION DATE:

04/20/2026

DETAIL NO.

EZT-M-11

GENFLEX: (800) 443-4272 www.genflex.com

NOT TO SCALE