

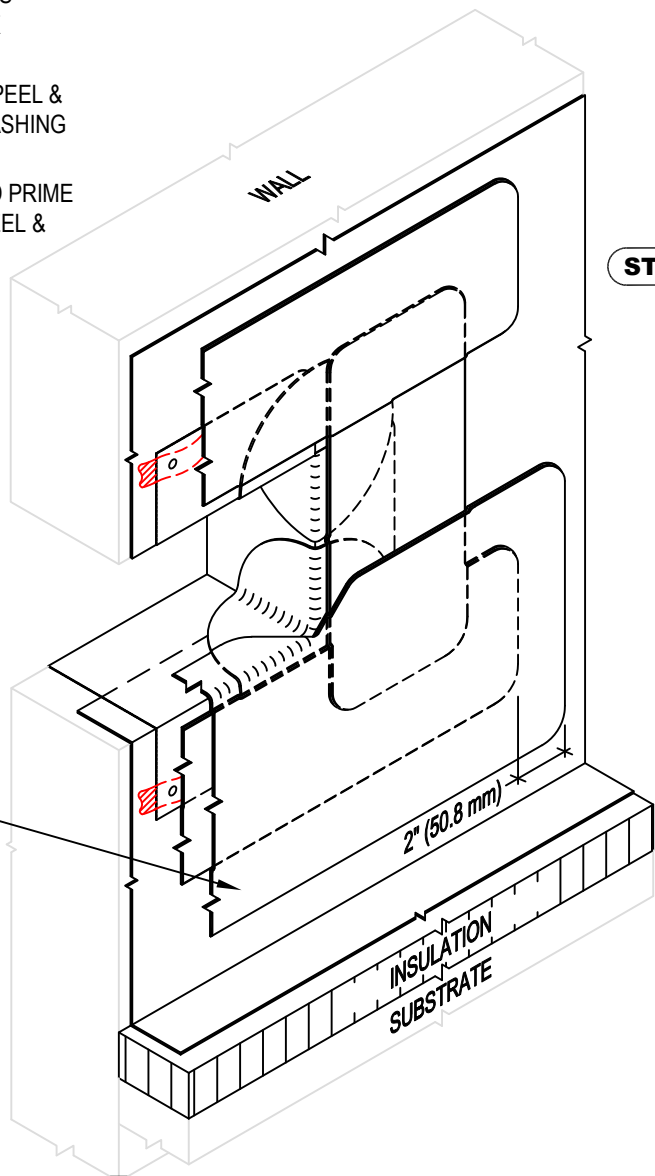
- NOTE:
1. STEP #3 - STRIP IN ALL EXPOSED EDGES OF SCUPPER AS INDICATED WITH 6" (152.4 mm) FLEXWHITE PEEL & STICK FLASHING STARTING AT SIDES OF SCUPPER.
 2. STEP #4 - CENTER STRIP OF 12" (304.8 mm) FLEXWHITE PEEL & STICK OVER 6" (152.4 mm) FLEXWHITE PEEL & STICK FLASHING AT BASE OF SCUPPER AS SHOWN.
 3. USE AN APPROPRIATE GENFLEX PRIMER TO CLEAN AND PRIME TPO MATING SURFACES PRIOR TO INSTALLATION OF PEEL & STICK PRODUCTS.

6" (152.4 mm) FLEXWHITE PEEL & STICK FLASHING CENTERED OVER EDGE OF METAL FLANGE (SEE NOTE #1)

USE APPROPRIATE BASE TIE-IN DETAIL

12" (304.8 mm) FLEXWHITE PEEL & STICK FLASHING CENTERED OVER 6" (152.4 mm) FLEXWHITE PEEL & STICK FLASHING (SEE NOTE #2)

WARRANTY MEMBRANE REQUIREMENTS:
15-YEAR
 TPO - 45 MIL
20-YEAR
 TPO - 60 MIL



**OVERFLOW THRU-WALL SCUPPER (NON-WELDED)
 INSTALLATION STEPS 3 & 4**

MATERIAL: EZ TPO

ACCEPTABLE SYSTEMS: ALL

MAXIMUM WARRANTY: 20 Years

ISSUE / REVISION DATE:

04/20/2026

DETAIL NO.

EZT-S-04B

NOT TO SCALE