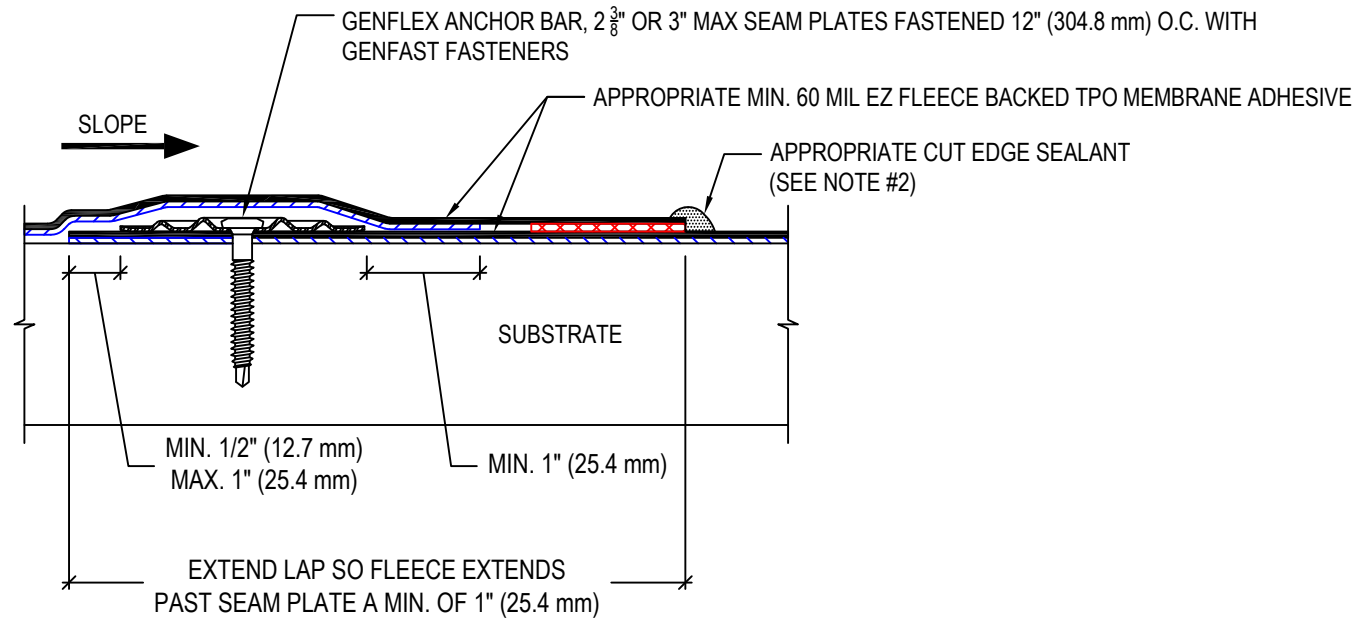


NOTE:

1. REFER TO THE GENFLEX™ WEBSITE FOR MOST CURRENT INFORMATION.
2. WHEN REINFORCEMENT OF TPO MEMBRANE IS EXPOSED, REFER TO EZT-LS-14 FOR CUT EDGE SEALANT APPLICATION.
3. ROBOT WELDS REQUIRED WHERE APPLICABLE.

<b>WARRANTY MEMBRANE REQUIREMENTS:</b>	
<b>15-YEAR</b>	TPO - 45 MIL
<b>20-YEAR</b>	TPO - 60 MIL



**WHEN POLYESTER REINFORCEMENT OF THERMOPLASTIC MEMBRANE IS EXPOSED, APPLY CUT EDGE TREATMENT TO ENTIRE EXPOSED EDGE. REFER TO EZT-LS-14.**

	<b>LAP SPLICE - MECHANICALLY ATTACHED FLEECE BACKED MEMBRANE (HAIL WARRANTY REQUIREMENT)</b>		MAXIMUM WARRANTY: 20 Years	
	MATERIAL: EZ FLEECE BACKED TPO	ACCEPTABLE SYSTEMS: ALL	ISSUE / REVISION DATE: 04/20/2026	DETAIL NO. <b>EZT-FB-LS-07</b>
GENFLEX: (800) 443-4272 www.genflex.com			NOT TO SCALE	