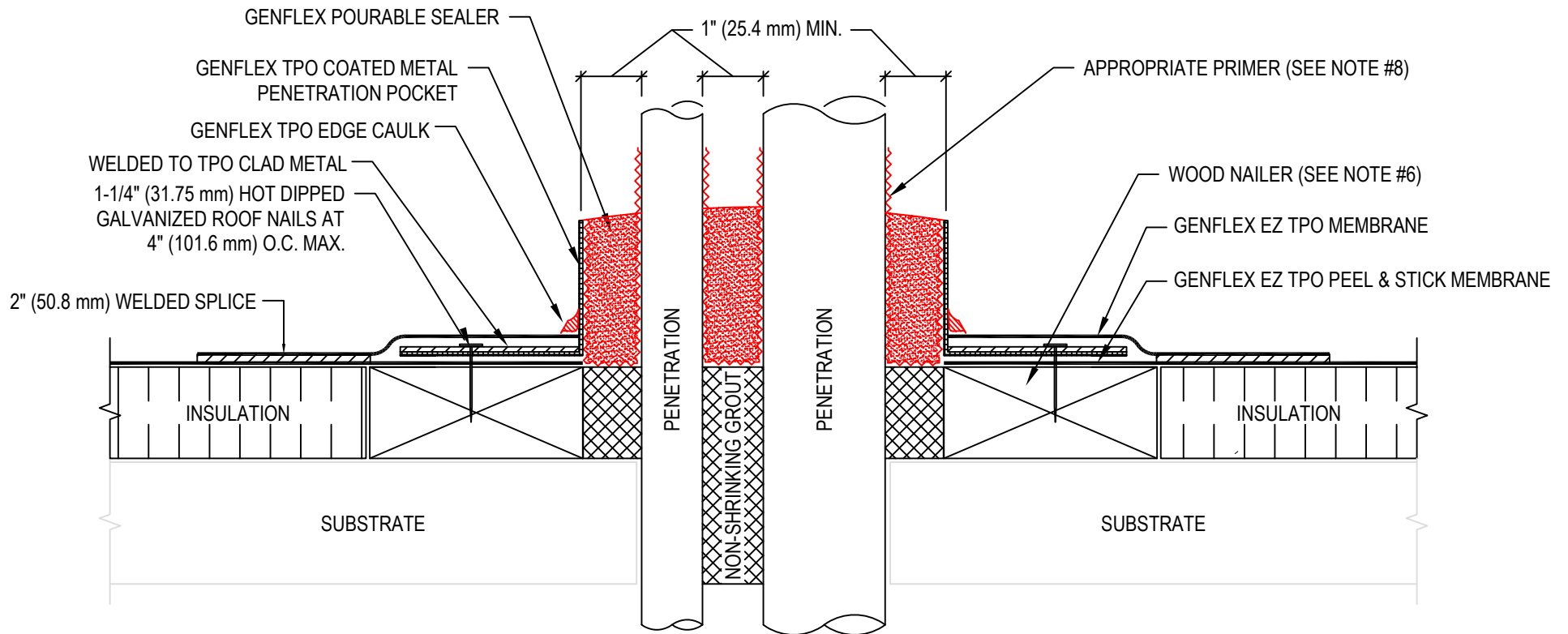


NOTE:

1. REFER TO THE GENFLEX™ WEBSITE FOR THE MOST CURRENT INFORMATION.
2. REFER TO DETAIL EZT-PS-LS-01 FOR WELD WIDTH.
3. REMOVE ALL EXISTING FLASHING, LEAD, ETC.  
PIPE SURFACE MUST BE FREE OF ALL RUST, GREASE, INSULATION, ETC.
4. GENFLEX POURABLE SEALER MOUNDED TO SHED WATER (MINIMUM DEPTH OF 2" (51 mm), REMAINDER OF POCKET MAY BE FILLED WITH A NON-SHRINKING GROUT.
5. DO NOT USE OVER EXISTING PENETRATION POCKETS.
6. WOOD NAILER MUST BE INSTALLED TO MEET APPLICABLE BUILDING CODES.
7. DO NOT USE WHEN SERVICE LINE TEMP. EXCEEDS 160 °F (71 °C).
8. APPROVED PRIMERS REQUIRED ON PENETRATIONS, INSIDE OF PENETRATION POCKET, AND WHERE GENFLEX EZ TPO PEEL & STICK IS INSTALLED OVER EZ TPO MEMBRANE.
9. WHEN REINFORCEMENT OF MEMBRANE IS EXPOSED, REFER TO EZT-PS-LS-04 FOR CUT EDGE SEALANT APPLICATION.



**PENETRATION WITH GENFLEX TPO COATED METAL PENETRATION POCKET TO NAILER**

MAXIMUM WARRANTY: 20 Years

ISSUE / REVISION DATE:

04/20/2026

DETAIL NO.

EZT-PS-P-05

MATERIAL: EZ TPO P&S

ACCEPTABLE SYSTEMS: ADHERED

NOT TO SCALE

GENFLEX: (800) 443-4272 www.genflex.com