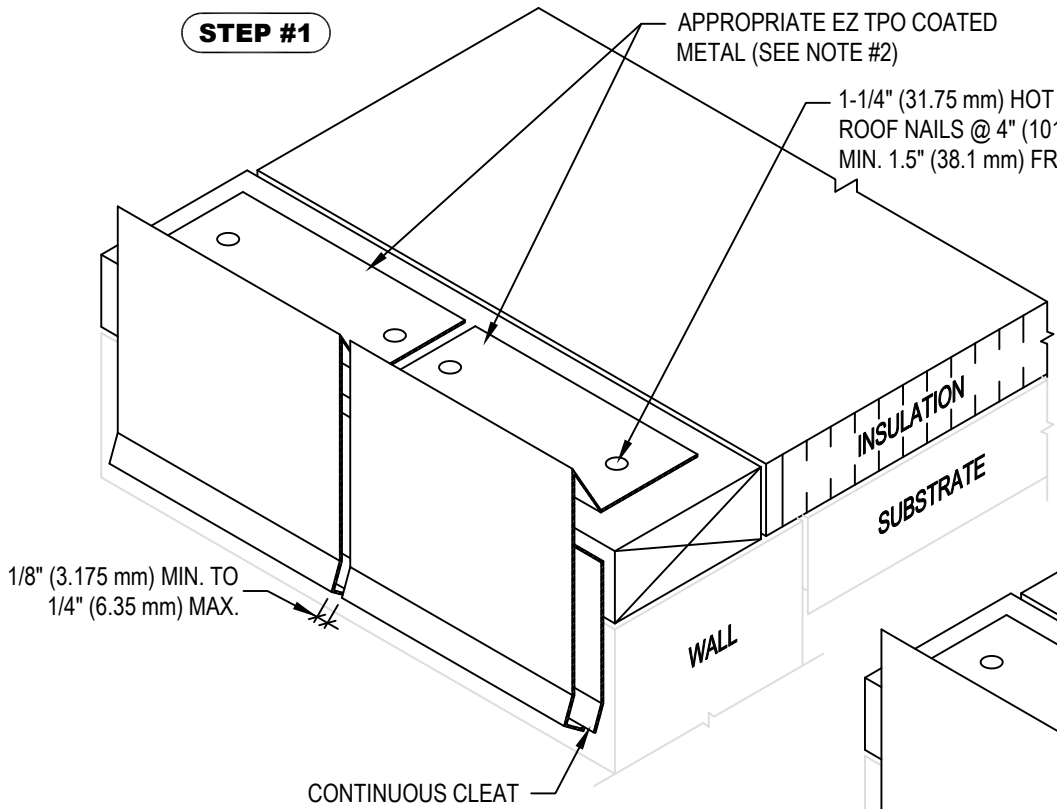
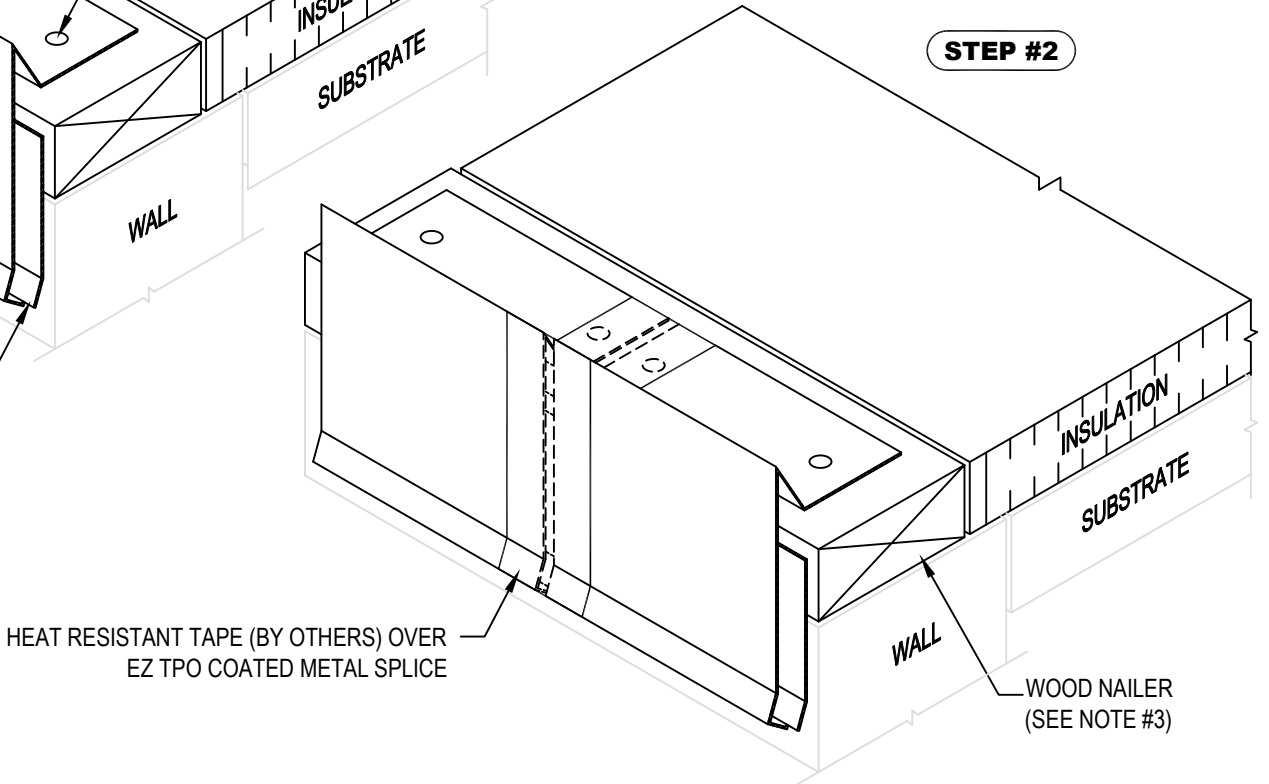


**STEP #1**



- NOTE:
1. REFER TO THE GENFLEX™ WEBSITE FOR THE MOST CURRENT INFORMATION.
  2. INSTALL METAL WORK TO SMACNA RECOMMENDATIONS.
  3. WOOD NAILER MUST BE INSTALLED TO MEET APPLICABLE BUILDING CODES.

**STEP #2**



1/8" (3.175 mm) MIN. TO  
1/4" (6.35 mm) MAX.

CONTINUOUS CLEAT

**WARRANTY MEMBRANE REQUIREMENTS:**  
**15-YEAR**  
 TPO - 45 MIL  
**20-YEAR**  
 TPO - 60 MIL



**ROOF EDGE SPLICE WITH EZ TPO COATED METAL  
 INSTALLATION STEPS 1 & 2**

MATERIAL: EZ TPO

ACCEPTABLE SYSTEMS: ALL

MAXIMUM WARRANTY: 20 Years

ISSUE / REVISION  
 DATE:  
 04/20/2026

DETAIL NO.  
**EZT-RE-23A**

GENFLEX: (800) 443-4272 www.genflex.com

NOT TO SCALE